



January 2018

Product
Catalogue

**Panel
Radiator &
Towel
Radiator**



content

4	About Warmhaus
5	Production & Delivery
8	Product Range
10	Standard Panel Radiators
24	Compact Panel Radiators
32	Hygienic Panel Radiators
34	Decorative Panel Radiators
36	Vertical Decorative Panel Radiators
38	Horizontal Decorative Panel Radiators
40	Colorful Panel Radiators
42	Towel Radiators
46	Packaging
47	Accessories



About Warmhaus

Warmhaus is a subsidiary of Beyçelik Holding which has branches also in automotive, energy, tourism and insurance fields. We, as Warmhaus, produce combi boilers, radiators and high-capacity boilers with our years of experience in heating sector.

We are among the ten biggest radiator producers around the world and one of four biggest radiator producers of Turkey.

Thanks to the modernized production lines and high quality products; Warmhaus warm houses and buildings in more than 30 countries.

Global Heating Brand

Products developed by Warmhaus R&D center are sent all over the world with Warmhaus brand.

Warmhaus UK
3000 sqm storage space and sales office

Warmhaus Germany
2018

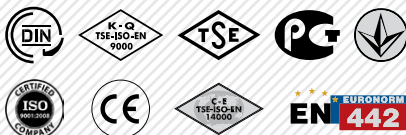
Warmhaus China
2018

- England
- Germany
- Belgium
- Chile
- China
- Denmark
- France
- Spain
- Russia
- Greece
- Bulgaria
- Azerbaijan
- Georgia
- Northern Cyprus
- Kosovo
- Hungary
- Macedonia
- Moldova
- Uzbekistan
- Poland
- Serbia
- Romania
- Ukraine
- New Zealand
- Iran
- Tunisia
- Belarus

Production



- More than 380 employees
- 2.700.000 meters annual panel radiator production capacity.
- 27.000 sqm panel radiator production facility
- 2 Schlatter and 1 Leas lines with latest technology
- Water-based premium painting and epoxy polyester powder painting with new nano-tech surface processes.
- Branding and packaging on the same line with 13 meter packaging per minute
- Fast Delivery with high stock capacity and automated shelving system
- Certified by local and international authorities
- All panel radiators are tested under 13 bar



HIGH QUALITY PRODUCTION

Our modern production facility equipped with automated lines provides high-quality products. We have TSE EN ISO 9001:2008, TSE EN 442, ISO 14001-2004, GOST-R, UKR-SEPRO, DIN EN 442, CE, NF MARK (NF-047) and PZH certificates.



HIGH STOCK & FAST DELIVERY

Fast delivery thanks to the large warehouse with the automated shelving system.

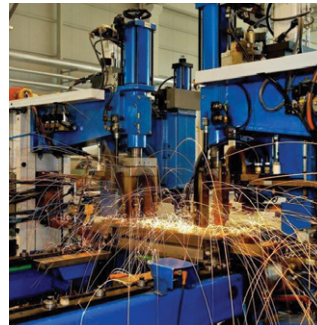




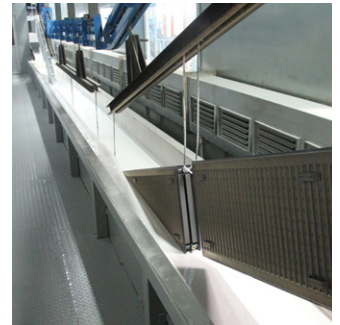
METAL SHEET
SLICING LINE



PANEL
CONVECTOR
PRESS



WELDING
PROCESSS



PAINTING

High Stock | Fast Delivery

DURABLE PACKAGE

All radiators are shrinked by bubble wrap and protected with hard corner plastic protectors and side covers. User manual with technical specifications is included in the package. Labels provide all information for identification.



Product Range

PANEL RADIATORS



DECORATIVE RADIATORS



VERTICAL DECORATIVE



TOWEL RADIATORS



HORIZONTAL DECORATIVE



COLORFUL

ACCESSORIES



Standard panel radiators



Test Pressure	bar	Max. Operation Pressure	bar	Max. Water Temperature	°C	Warranty	Number of Connection
13		10		110		10	4xDIN 6xDIN

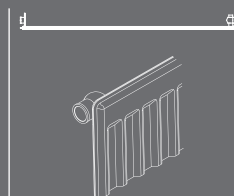
Long-lasting

Warmhaus radiators are the perfect fit for functionality and elegant look. Thanks to our state-of-the-art production lines, all our products comply with DIN EN 442 standards and have a 10 year warranty. Our aim is to warm you up with a long-lasting product that suits your living environment.

- High thermal efficiency
- Elegant design
- Practical Installation
- Extensive Product Range
- RAL 9010 and RAL 9016 color

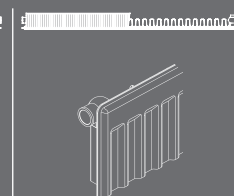


Type 10

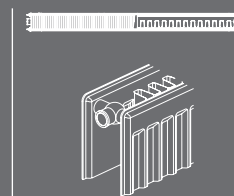


Width (mm)	47,5	50	70
Height (mm)	300-400-500-600-700-900	300-400-500-600-700-900	300-400-500-600-700-900
Length (mm)	400-3000	400-3000	400-3000

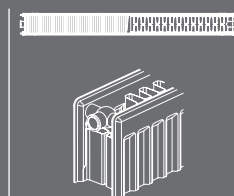
Type 11



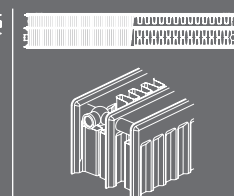
Type 21



Type 22

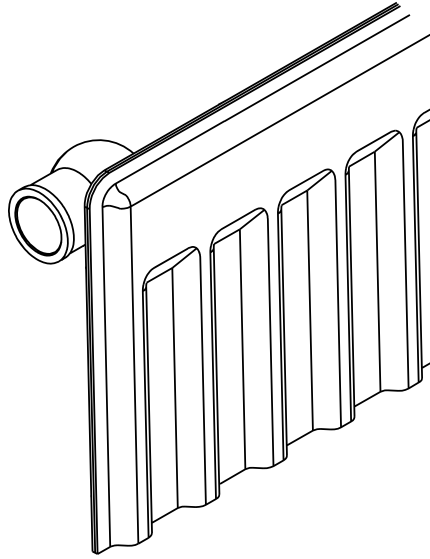


Type 33



Width (mm)	105	160
Height (mm)	300-400-500-600-700-900	300-400-500-600-700-900
Length (mm)	400-3000	400-3000

Type 10



Width (mm)	47,5
Height (mm)	300-400-500-600-700-900
Length (mm)	400-3000
Interval for length (mm)	1400-1600: 100 1600-3000: 200

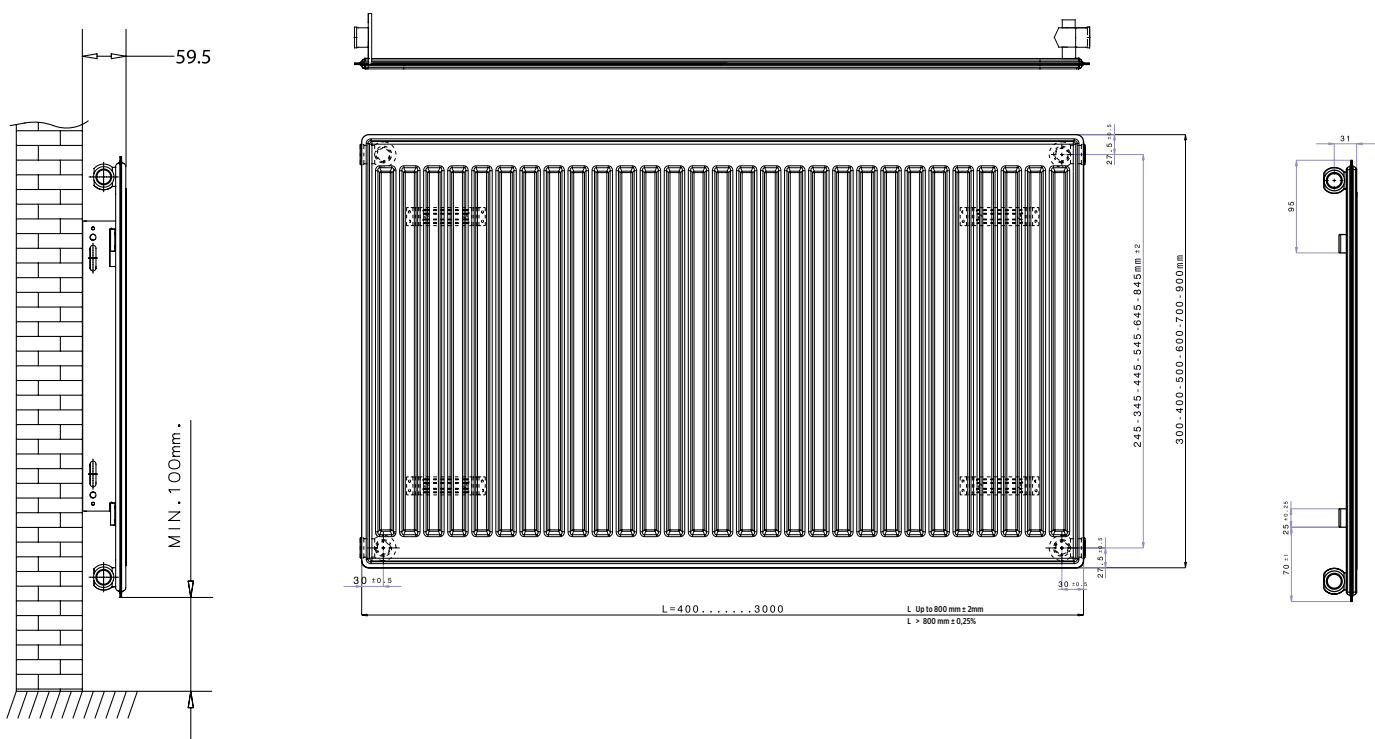
		Type 10						
watt - kcal		height						
n-coefficient		1,27	1,28	1,28	1,29	1,29	1,29	1,29
Length	C	300	400	500	600	700	750	900
400	watt 75/65/20 ΔT:50	144	181	218	253	288	305	357
	kcal 75/65/20 ΔT:50	124	156	188	218	248	263	308
500	watt 75/65/20 ΔT:50	180	227	272	317	360	382	446
	kcal 75/65/20 ΔT:50	155	195	234	273	310	329	384
600	watt 75/65/20 ΔT:50	215	272	326	380	432	458	535
	kcal 75/65/20 ΔT:50	186	234	281	327	372	395	461
700	watt 75/65/20 ΔT:50	251	317	381	443	504	534	624
	kcal 75/65/20 ΔT:50	217	273	328	382	434	460	538
800	watt 75/65/20 ΔT:50	287	362	435	506	576	610	714
	kcal 75/65/20 ΔT:50	248	312	375	437	497	526	615
900	watt 75/65/20 ΔT:50	323	408	490	570	648	687	803
	kcal 75/65/20 ΔT:50	279	351	422	491	559	592	692
1000	watt 75/65/20 ΔT:50	359	453	544	633	720	763	892
	kcal 75/65/20 ΔT:50	309	391	469	546	621	658	769
1100	watt 75/65/20 ΔT:50	395	498	598	696	792	839	981
	kcal 75/65/20 ΔT:50	340	430	516	600	683	724	846
1200	watt 75/65/20 ΔT:50	431	544	653	760	864	916	1070
	kcal 75/65/20 ΔT:50	371	469	563	655	745	789	923
1300	watt 75/65/20 ΔT:50	467	589	707	823	936	992	1160
	kcal 75/65/20 ΔT:50	402	508	610	709	807	855	1000
1400	watt 75/65/20 ΔT:50	503	634	762	886	1008	1068	1249
	kcal 75/65/20 ΔT:50	433	547	657	764	869	921	1077
1500	watt 75/65/20 ΔT:50	539	680	816	950	1080	1145	1338
	kcal 75/65/20 ΔT:50	464	586	703	819	931	987	1153
1600	watt 75/65/20 ΔT:50	574	725	870	1013	1152	1221	1427
	kcal 75/65/20 ΔT:50	495	625	750	873	993	1052	1230
1800	watt 75/65/20 ΔT:50	646	815	979	1139	1296	1373	1606
	kcal 75/65/20 ΔT:50	557	703	844	982	1117	1184	1384
2000	watt 75/65/20 ΔT:50	718	906	1088	1266	1440	1526	1784
	kcal 75/65/20 ΔT:50	619	781	938	1091	1241	1316	1538
2200	watt 75/65/20 ΔT:50	790	997	1197	1393	1584	1679	1962
	kcal 75/65/20 ΔT:50	681	859	1032	1201	1366	1447	1692
2400	watt 75/65/20 ΔT:50	862	1087	1306	1519	1728	1831	2141
	kcal 75/65/20 ΔT:50	743	937	1126	1310	1490	1579	1846
2600	watt 75/65/20 ΔT:50	933	1178	1414	1646	1872	1984	2319
	kcal 75/65/20 ΔT:50	805	1015	1219	1419	1614	1710	1999
2800	watt 75/65/20 ΔT:50	1005	1268	1523	1772	2016	2136	2498
	kcal 75/65/20 ΔT:50	867	1093	1313	1528	1738	1842	2153
3000	watt 75/65/20 ΔT:50	1077	1359	1632	1899	2160	2289	2676
	kcal 75/65/20 ΔT:50	928	1172	1407	1637	1862	1973	2307

		Type 10						
watt - kcal		height						
n-coefficient		1,27	1,28	1,28	1,29	1,29	1,29	1,29
Length	C	300	400	500	600	700	750	900
400	watt 90/70/20 ΔT:60	181	229	275	320	364	386	451
	kcal 90/70/20 ΔT:60	156	197	237	276	314	333	389
500	watt 90/70/20 ΔT:60	226	286	344	400	455	482	564
	kcal 90/70/20 ΔT:60	195	247	296	345	392	416	486
600	watt 90/70/20 ΔT:60	272	343	412	480	546	579	677
	kcal 90/70/20 ΔT:60	234	296	356	414	471	499	583
700	watt 90/70/20 ΔT:60	317	400	481	560	637	675	789
	kcal 90/70/20 ΔT:60	273	345	415	483	549	582	680
800	watt 90/70/20 ΔT:60	362	458	550	640	728	772	902
	kcal 90/70/20 ΔT:60	312	394	474	552	628	665	778
900	watt 90/70/20 ΔT:60	408	515	619	721	819	868	1015
	kcal 90/70/20 ΔT:60	351	444	533	621	706	749	875
1000	watt 90/70/20 ΔT:60	453	572	687	801	910	965	1128
	kcal 90/70/20 ΔT:60	390	493	593	690	785	832	972
1100	watt 90/70/20 ΔT:60	498	629	756	881	1002	1061	1240
	kcal 90/70/20 ΔT:60	429	542	652	759	863	915	1069
1200	watt 90/70/20 ΔT:60	543	686	825	961	1093	1158	1353
	kcal 90/70/20 ΔT:60	468	592	711	828	942	998	1166
1300	watt 90/70/20 ΔT:60	589	744	894	1041	1184	1254	1466
	kcal 90/70/20 ΔT:60	508	641	770	897	1020	1081	1264
1400	watt 90/70/20 ΔT:60	634	801	962	1121	1275	1351	1579
	kcal 90/70/20 ΔT:60	547	690	830	966	1099	1164	1361
1500	watt 90/70/20 ΔT:60	679	858	1031	1201	1366	1447	1691
	kcal 90/70/20 ΔT:60	586	740	889	1035	1177	1248	1458
1600	watt 90/70/20 ΔT:60	725	915	1100	1281	1457	1544	1804
	kcal 90/70/20 ΔT:60	625	789	948	1104	1256	1331	1555
1800	watt 90/70/20 ΔT:60	815	1029	1237	1441	1639	1737	2030
	kcal 90/70/20 ΔT:60	703	887	1067	1242	1413	1497	1750
2000	watt 90/70/20 ΔT:60	906	1144	1375	1601	1821	1930	2255
	kcal 90/70/20 ΔT:60	781	986	1185	1380	1570	1663	1944
2200	watt 90/70/20 ΔT:60	996	1258	1512	1761	2003	2122	2481
	kcal 90/70/20 ΔT:60	859	1085	1304	1518	1727	1830	2139
2400	watt 90/70/20 ΔT:60	1087	1373	1650	1921	2185	2315	2706
	kcal 90/70/20 ΔT:60	937	1183	1422	1656	1884	1996	2333
2600	watt 90/70/20 ΔT:60	1177	1487	1787	2082	2367	2508	2932
	kcal 90/70/20 ΔT:60	1015	1282	1541	1794	2041	2162	2527
2800	watt 90/70/20 ΔT:60	1268	1601	1925	2242	2549	2701	3157
	kcal 90/70/20 ΔT:60	1093	1381	1659	1932	2198	2329	2722
3000	watt 90/70/20 ΔT:60	1359	1716	2062	2402	2731	2894	3383
	kcal 90/70/20 ΔT:60	1171	1479	1778	2071	2355	2495	2916

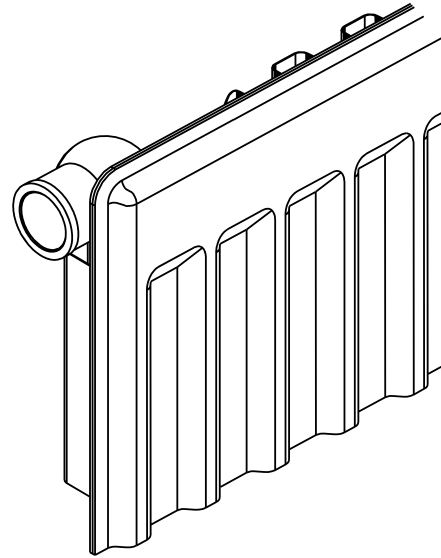


DIMENSIONAL SPECIFICATIONS

Type	Nominal Size (mm)	Center of Distance (mm)	Width (mm)	Length Min. - Max. (mm)	Water Content (L/m)
10 P	300	245	47,5	400 - 3000	1,7
	400	345	47,5	400 - 3000	2,2
	500	445	47,5	400 - 3000	2,7
	600	545	47,5	400 - 3000	3,2
	700	645	47,5	400 - 3000	3,6
	900	845	47,5	400 - 3000	4,6



Type 11



Width (mm)	50
Height (mm)	300-400-500-600-700-900
Length (mm)	400-3000
Interval for length (mm)	1400-1600: 100 1600-3000: 200

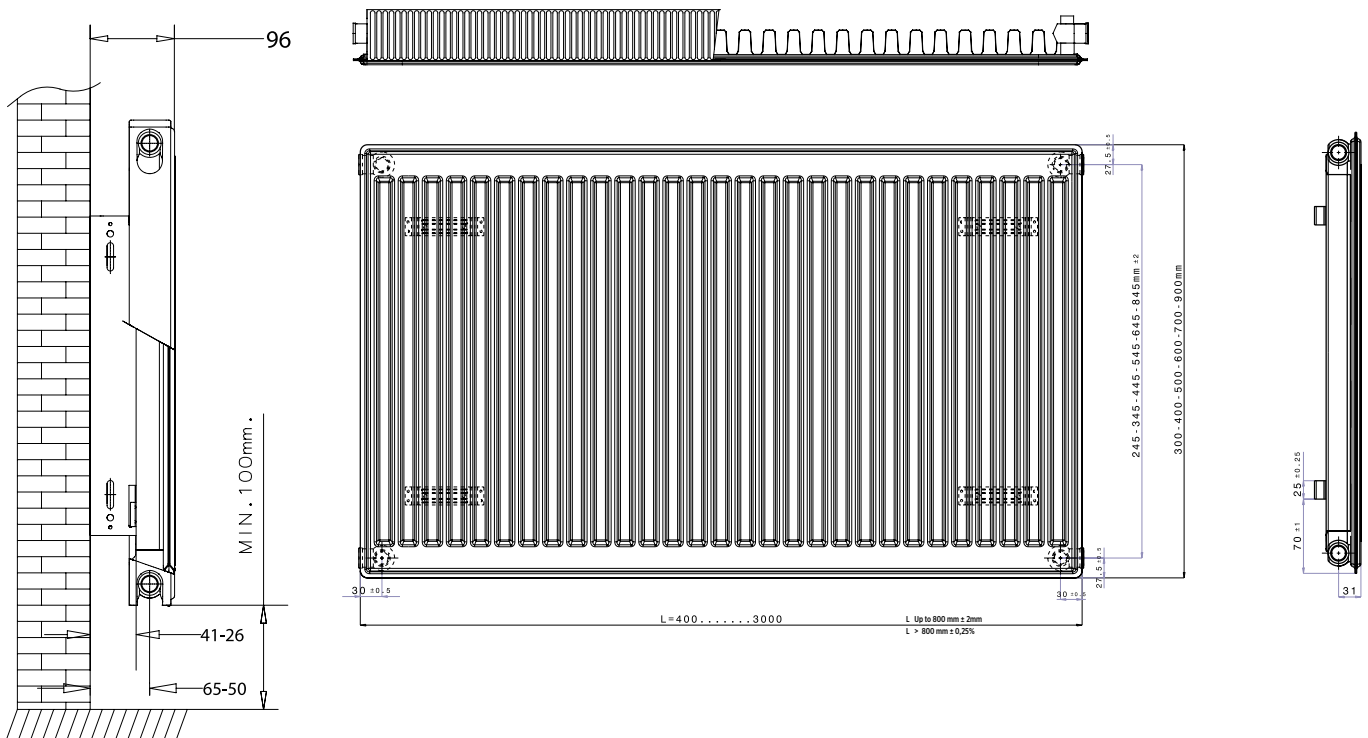
		Type 11							
watt - kcal		height							
n-coefficient		1,28	1,28	1,29	1,29	1,29	1,29	1,30	
Length	C	300	400	500	600	700	750	900	
400	watt	75/65/20 ΔT:50	204	263	318	372	423	448	521
	kcal	75/65/20 ΔT:50	176	227	274	321	365	387	449
500	watt	75/65/20 ΔT:50	256	329	398	465	529	561	651
	kcal	75/65/20 ΔT:50	220	283	343	401	456	483	561
600	watt	75/65/20 ΔT:50	307	394	478	558	635	673	781
	kcal	75/65/20 ΔT:50	264	340	412	481	547	580	673
700	watt	75/65/20 ΔT:50	358	460	557	651	741	785	911
	kcal	75/65/20 ΔT:50	308	396	480	561	638	676	786
800	watt	75/65/20 ΔT:50	409	526	637	744	846	897	1042
	kcal	75/65/20 ΔT:50	352	453	549	641	730	773	898
900	watt	75/65/20 ΔT:50	460	591	716	837	952	1009	1172
	kcal	75/65/20 ΔT:50	396	510	618	722	821	870	1010
1000	watt	75/65/20 ΔT:50	511	657	796	930	1058	1121	1302
	kcal	75/65/20 ΔT:50	441	566	686	802	912	966	1122
1100	watt	75/65/20 ΔT:50	562	723	876	1023	1164	1233	1432
	kcal	75/65/20 ΔT:50	485	623	755	882	1003	1063	1235
1200	watt	75/65/20 ΔT:50	613	788	955	1116	1270	1345	1562
	kcal	75/65/20 ΔT:50	529	680	823	962	1094	1160	1347
1300	watt	75/65/20 ΔT:50	664	854	1035	1209	1375	1457	1693
	kcal	75/65/20 ΔT:50	573	736	892	1042	1186	1256	1459
1400	watt	75/65/20 ΔT:50	715	920	1114	1302	1481	1569	1823
	kcal	75/65/20 ΔT:50	617	793	961	1122	1277	1353	1571
1500	watt	75/65/20 ΔT:50	767	986	1194	1395	1587	1682	1953
	kcal	75/65/20 ΔT:50	661	850	1029	1203	1368	1450	1684
1600	watt	75/65/20 ΔT:50	818	1051	1274	1488	1693	1794	2083
	kcal	75/65/20 ΔT:50	705	906	1098	1283	1459	1546	1796
1800	watt	75/65/20 ΔT:50	920	1183	1433	1674	1904	2018	2344
	kcal	75/65/20 ΔT:50	793	1019	1235	1443	1642	1739	2020
2000	watt	75/65/20 ΔT:50	1022	1314	1592	1860	2116	2242	2604
	kcal	75/65/20 ΔT:50	881	1133	1372	1603	1824	1933	2245
2200	watt	75/65/20 ΔT:50	1124	1445	1751	2046	2328	2466	2864
	kcal	75/65/20 ΔT:50	969	1246	1510	1764	2007	2126	2469
2400	watt	75/65/20 ΔT:50	1226	1577	1910	2232	2539	2690	3125
	kcal	75/65/20 ΔT:50	1057	1359	1647	1924	2189	2319	2694
2600	watt	75/65/20 ΔT:50	1329	1708	2070	2418	2751	2915	3385
	kcal	75/65/20 ΔT:50	1145	1473	1784	2084	2371	2513	2918
2800	watt	75/65/20 ΔT:50	1431	1840	2229	2604	2962	3139	3646
	kcal	75/65/20 ΔT:50	1233	1586	1921	2245	2554	2706	3143
3000	watt	75/65/20 ΔT:50	1533	1971	2388	2790	3174	3363	3906
	kcal	75/65/20 ΔT:50	1322	1699	2059	2405	2736	2899	3367

		Type 11							
watt - kcal		height							
n-coefficient		1,28	1,28	1,29	1,29	1,29	1,29	1,30	
Length	C	300	400	500	600	700	750	900	
400	watt	90/70/20 ΔT:60	258	332	402	471	536	568	660
	kcal	90/70/20 ΔT:60	222	286	347	406	462	489	569
500	watt	90/70/20 ΔT:60	323	415	503	588	670	710	825
	kcal	90/70/20 ΔT:60	278	358	434	507	577	612	711
600	watt	90/70/20 ΔT:60	387	498	604	706	804	852	990
	kcal	90/70/20 ΔT:60	334	429	520	608	693	734	854
700	watt	90/70/20 ΔT:60	452	581	704	823	937	994	1155
	kcal	90/70/20 ΔT:60	389	501	607	710	808	857	996
800	watt	90/70/20 ΔT:60	516	664	805	941	1071	1136	1320
	kcal	90/70/20 ΔT:60	445	572	694	811	924	979	1138
900	watt	90/70/20 ΔT:60	581	747	906	1059	1205	1278	1485
	kcal	90/70/20 ΔT:60	500	644	781	913	1039	1101	1281
1000	watt	90/70/20 ΔT:60	645	830	1006	1176	1339	1419	1650
	kcal	90/70/20 ΔT:60	556	715	867	1014	1154	1224	1423
1100	watt	90/70/20 ΔT:60	710	913	1107	1294	1473	1561	1815
	kcal	90/70/20 ΔT:60	612	787	954	1115	1270	1346	1565
1200	watt	90/70/20 ΔT:60	774	996	1207	1412	1607	1703	1981
	kcal	90/70/20 ΔT:60	667	859	1041	1217	1385	1468	1707
1300	watt	90/70/20 ΔT:60	839	1079	1308	1529	1741	1845	2146
	kcal	90/70/20 ΔT:60	723	930	1128	1318	1501	1591	1850
1400	watt	90/70/20 ΔT:60	903	1162	1409	1647	1875	1987	2311
	kcal	90/70/20 ΔT:60	779	1002	1214	1420	1616	1713	1992
1500	watt	90/70/20 ΔT:60	968	1245	1509	1764	2009	2129	2476
	kcal	90/70/20 ΔT:60	834	1073	1301	1521	1732	1836	2134
1600	watt	90/70/20 ΔT:60	1032	1328	1610	1882	2143	2271	2641
	kcal	90/70/20 ΔT:60	890	1145	1388	1622	1847	1958	2276
1800	watt	90/70/20 ΔT:60	1161	1494	1811	2117	2411	2555	2971
	kcal	90/70/20 ΔT:60	1001	1288	1561	1825	2078	2203	2561
2000	watt	90/70/20 ΔT:60	1290	1660	2012	2353	2678	2839	3301
	kcal	90/70/20 ΔT:60	1112	1431	1735	2028	2309	2447	2846
2200	watt	90/70/20 ΔT:60	1419	1826	2214	2588	2946	3123	3631
	kcal	90/70/20 ΔT:60	1223	1574	1908	2231	2540	2692	3130
2400	watt	90/70/20 ΔT:60	1548	1992	2415	2823	3214	3407	3961
	kcal	90/70/20 ΔT:60	1335	1717	2082	2434	2771	2937	3415
2600	watt	90/70/20 ΔT:60	1677	2158	2616	3058	3482	3691	4291
	kcal	90/70/20 ΔT:60	1446	1860	2255	2637	3002	3182	3699
2800	watt	90/70/20 ΔT:60	1806	2324	2817	3294	3750	3974	4621
	kcal	90/70/20 ΔT:60	1557	2003	2429	2839	3232	3426	3984
3000	watt	90/70/20 ΔT:60	1935	2490	3018	3529	4018	4258	4951
	kcal	90/70/20 ΔT:60	1668	2146	2602	3042	3463	3671	4268

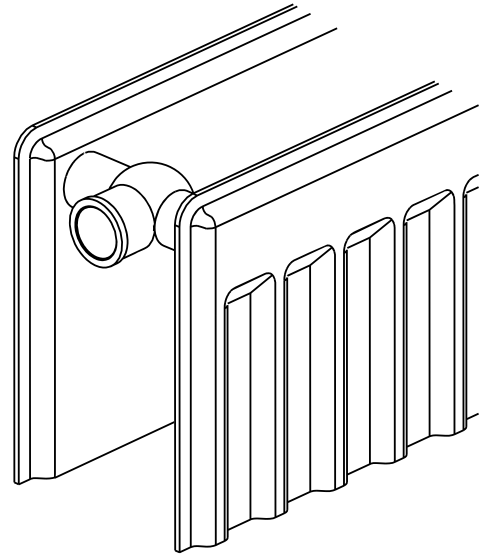


DIMENSIONAL SPECIFICATIONS

Type	Nominal Size (mm)	Center of Distance (mm)	Width (mm)	Length Min. - Max. (mm)	Water Content (L/m)
11 PK	300	245	50	400 - 3000	1,7
	400	345	50	400 - 3000	2,2
	500	445	50	400 - 3000	2,6
	600	545	50	400 - 3000	3,0
	700	645	50	400 - 3000	3,6
	900	845	50	400 - 3000	4,6



Type 20



Width (mm)	70
Height (mm)	300-400-500-600-700-900
Length (mm)	400-3000
Interval for length (mm)	1400-1600: 100 1600-3000: 200

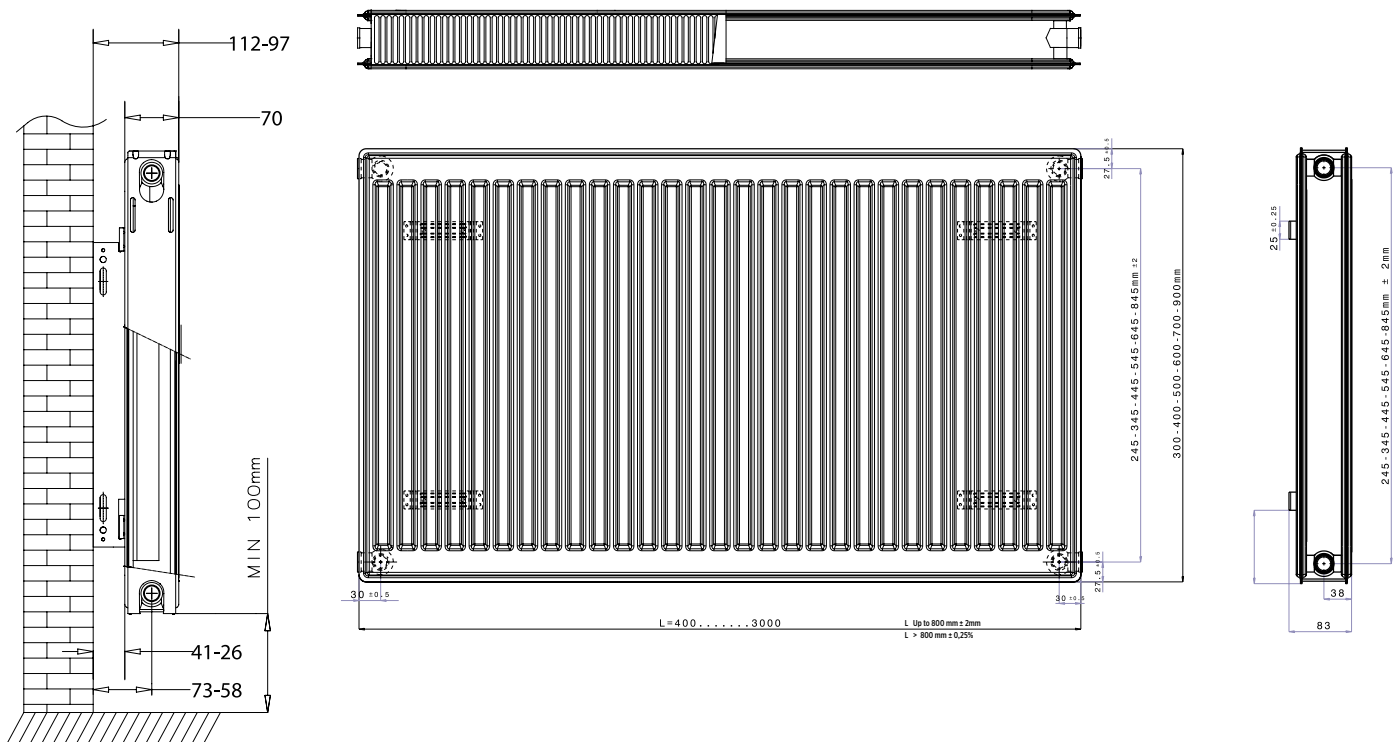
		Type 20							
watt - kcal		height							
n-coefficient		1,28	1,29	1,30	1,30	1,30	1,31	1,31	
Length	C	300	400	500	600	700	750	900	
400	watt	75/65/20 ΔT:50	243	307	368	427	483	513	594
	kcal	75/65/20 ΔT:50	210	265	318	368	416	442	512
500	watt	75/65/20 ΔT:50	304	384	461	534	603	641	742
	kcal	75/65/20 ΔT:50	262	331	397	460	520	552	640
600	watt	75/65/20 ΔT:50	365	461	553	641	724	769	890
	kcal	75/65/20 ΔT:50	315	397	476	552	624	663	768
700	watt	75/65/20 ΔT:50	426	538	645	747	845	897	1039
	kcal	75/65/20 ΔT:50	367	464	556	644	728	773	896
800	watt	75/65/20 ΔT:50	487	615	737	854	965	1025	1187
	kcal	75/65/20 ΔT:50	420	530	635	736	832	884	1024
900	watt	75/65/20 ΔT:50	548	692	829	961	1086	1153	1336
	kcal	75/65/20 ΔT:50	472	596	715	828	936	994	1151
1000	watt	75/65/20 ΔT:50	609	768	921	1068	1207	1281	1484
	kcal	75/65/20 ΔT:50	525	662	794	920	1040	1105	1279
1100	watt	75/65/20 ΔT:50	670	845	1013	1174	1327	1409	1633
	kcal	75/65/20 ΔT:50	577	729	874	1012	1144	1215	1407
1200	watt	75/65/20 ΔT:50	730	922	1105	1281	1448	1538	1781
	kcal	75/65/20 ΔT:50	630	795	953	1105	1248	1325	1535
1300	watt	75/65/20 ΔT:50	791	999	1198	1388	1568	1666	1929
	kcal	75/65/20 ΔT:50	682	861	1032	1197	1352	1436	1663
1400	watt	75/65/20 ΔT:50	852	1076	1290	1495	1689	1794	2078
	kcal	75/65/20 ΔT:50	735	927	1112	1289	1456	1546	1791
1500	watt	75/65/20 ΔT:50	913	1153	1382	1602	1810	1922	2226
	kcal	75/65/20 ΔT:50	787	994	1191	1381	1560	1657	1919
1600	watt	75/65/20 ΔT:50	974	1229	1474	1708	1930	2050	2375
	kcal	75/65/20 ΔT:50	840	1060	1271	1473	1664	1767	2047
1800	watt	75/65/20 ΔT:50	1096	1383	1658	1922	2172	2306	2671
	kcal	75/65/20 ΔT:50	945	1192	1429	1657	1872	1988	2303
2000	watt	75/65/20 ΔT:50	1217	1537	1842	2135	2413	2563	2968
	kcal	75/65/20 ΔT:50	1049	1325	1588	1841	2080	2209	2559
2200	watt	75/65/20 ΔT:50	1339	1690	2027	2349	2654	2819	3265
	kcal	75/65/20 ΔT:50	1154	1457	1747	2025	2288	2430	2815
2400	watt	75/65/20 ΔT:50	1461	1844	2211	2563	2896	3075	3562
	kcal	75/65/20 ΔT:50	1259	1590	1906	2209	2496	2651	3071
2600	watt	75/65/20 ΔT:50	1583	1998	2395	2776	3137	3331	3859
	kcal	75/65/20 ΔT:50	1364	1722	2065	2393	2704	2872	3327
2800	watt	75/65/20 ΔT:50	1704	2151	2579	2990	3378	3588	4156
	kcal	75/65/20 ΔT:50	1469	1855	2224	2577	2912	3093	3582
3000	watt	75/65/20 ΔT:50	1826	2305	2764	3203	3620	3844	4452
	kcal	75/65/20 ΔT:50	1574	1987	2382	2761	3120	3314	3838

		Type 20							
watt - kcal		height							
n-coefficient		1,28	1,29	1,30	1,30	1,30	1,31	1,31	
Length	C	300	400	500	600	700	750	900	
400	watt	90/70/20 ΔT:60	307	388	465	539	609	648	751
	kcal	90/70/20 ΔT:60	265	335	401	465	525	559	647
500	watt	90/70/20 ΔT:60	384	485	582	674	762	811	939
	kcal	90/70/20 ΔT:60	331	418	501	581	657	699	809
600	watt	90/70/20 ΔT:60	460	582	698	809	914	973	1127
	kcal	90/70/20 ΔT:60	397	502	602	697	788	838	971
700	watt	90/70/20 ΔT:60	537	679	814	944	1067	1135	1314
	kcal	90/70/20 ΔT:60	463	586	702	814	919	978	1133
800	watt	90/70/20 ΔT:60	614	776	931	1079	1219	1297	1502
	kcal	90/70/20 ΔT:60	529	669	802	930	1051	1118	1295
900	watt	90/70/20 ΔT:60	691	873	1047	1214	1371	1459	1690
	kcal	90/70/20 ΔT:60	595	753	903	1046	1182	1258	1457
1000	watt	90/70/20 ΔT:60	767	970	1163	1348	1524	1621	1878
	kcal	90/70/20 ΔT:60	661	836	1003	1162	1314	1397	1619
1100	watt	90/70/20 ΔT:60	844	1067	1280	1483	1676	1783	2065
	kcal	90/70/20 ΔT:60	728	920	1103	1279	1445	1537	1781
1200	watt	90/70/20 ΔT:60	921	1164	1396	1618	1828	1945	2253
	kcal	90/70/20 ΔT:60	794	1004	1203	1395	1576	1677	1942
1300	watt	90/70/20 ΔT:60	997	1261	1512	1753	1981	2107	2441
	kcal	90/70/20 ΔT:60	860	1087	1304	1511	1708	1817	2104
1400	watt	90/70/20 ΔT:60	1074	1358	1629	1888	2133	2269	2629
	kcal	90/70/20 ΔT:60	926	1171	1404	1627	1839	1956	2266
1500	watt	90/70/20 ΔT:60	1151	1455	1745	2023	2285	2432	2816
	kcal	90/70/20 ΔT:60	992	1255	1504	1744	1970	2096	2428
1600	watt	90/70/20 ΔT:60	1228	1552	1861	2157	2438	2594	3004
	kcal	90/70/20 ΔT:60	1058	1338	1605	1860	2102	2236	2590
1800	watt	90/70/20 ΔT:60	1381	1747	2094	2427	2743	2918	3380
	kcal	90/70/20 ΔT:60	1191	1506	1805	2092	2364	2515	2914
2000	watt	90/70/20 ΔT:60	1535	1941	2327	2697	3047	3242	3755
	kcal	90/70/20 ΔT:60	1323	1673	2006	2325	2627	2795	3237
2200	watt	90/70/20 ΔT:60	1688	2135	2559	2966	3352	3566	4131
	kcal	90/70/20 ΔT:60	1455	1840	2206	2557	2890	3074	3561
2400	watt	90/70/20 ΔT:60	1842	2329	2792	3236	3657	3890	4506
	kcal	90/70/20 ΔT:60	1588	2008	2407	2790	3152	3354	3885
2600	watt	90/70/20 ΔT:60	1995	2523	3025	3506	3962	4215	4882
	kcal	90/70/20 ΔT:60	1720	2175	2607	3022	3415	3633	4209
2800	watt	90/70/20 ΔT:60	2148	2717	3257	3775	4266	4539	5257
	kcal	90/70/20 ΔT:60	1852	2342	2808	3255	3678	3913	4532
3000	watt	90/70/20 ΔT:60	2302	2911	3490	4045	4571	4863	5633
	kcal	90/70/20 ΔT:60	1984	2509	3009	3487	3941	4192	4856

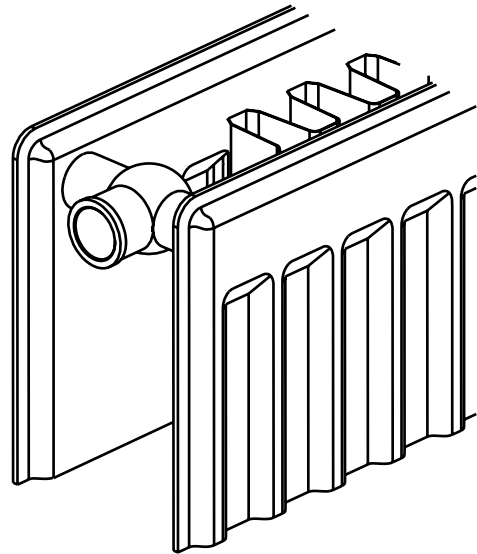


DIMENSIONAL FEATURES

Type	Nominal Size (mm)	Center of Distance (mm)	Width (mm)	Length Min. - Max. (mm)	Water Content (L/m)
20 PP	300	245	70	400 - 3000	3,1
	400	345	70	400 - 3000	4,4
	500	445	70	400 - 3000	5,3
	600	545	70	400 - 3000	6,2
	700	645	70	400 - 3000	7,2
	900	845	70	400 - 3000	9,6



Type 21



Width (mm)	70
Height (mm)	300-400-500-600-700-900
Length (mm)	400-3000
Interval for length (mm)	1400-1600: 100 1600-3000: 200

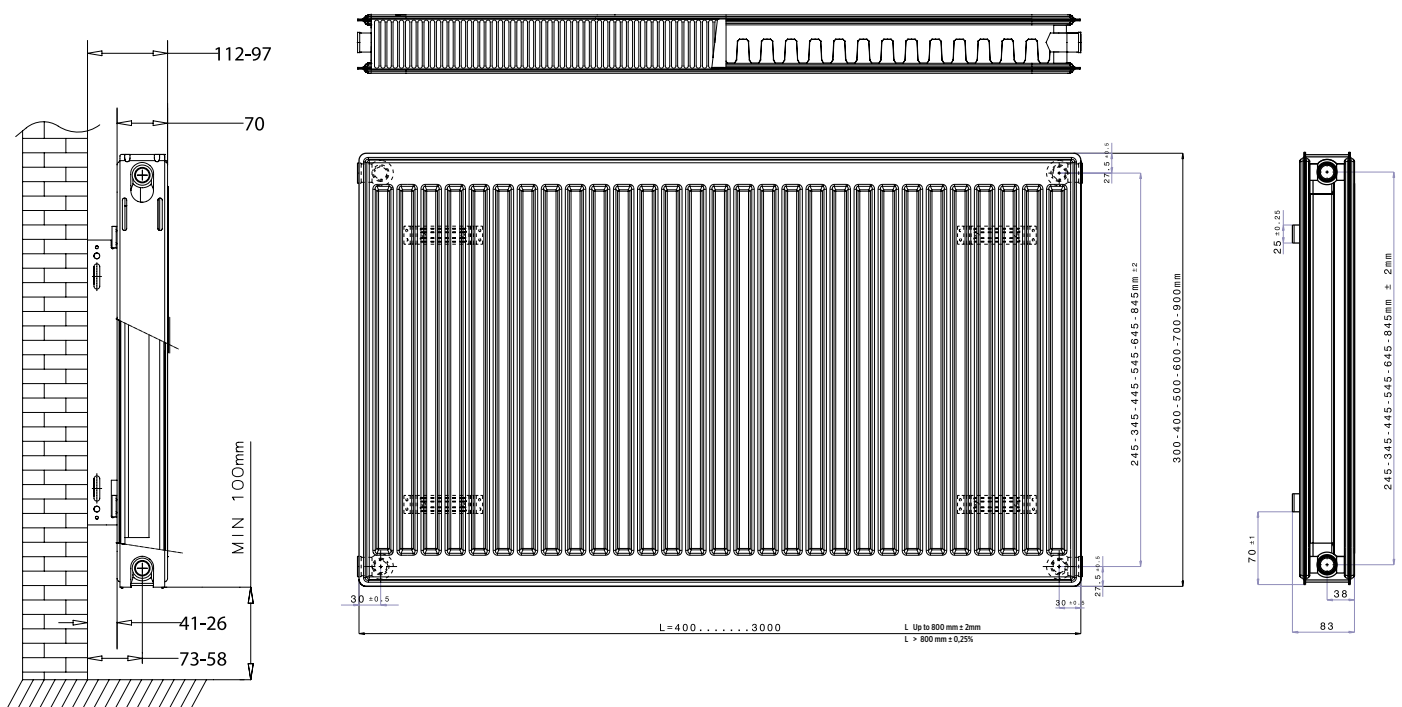
		Type 21							
watt - kcal		height							
n-coefficient		1,28	1,29	1,30	1,30	1,30	1,31	1,31	
Length	C	300	400	500	600	700	750	900	
400	watt	75/65/20 ΔT:50	309	394	474	550	622	656	756
	kcal	75/65/20 ΔT:50	266	339	408	474	536	566	652
500	watt	75/65/20 ΔT:50	386	492	592	687	777	821	946
	kcal	75/65/20 ΔT:50	333	424	510	592	670	707	815
600	watt	75/65/20 ΔT:50	463	590	710	824	932	985	1135
	kcal	75/65/20 ΔT:50	399	509	612	711	804	849	978
700	watt	75/65/20 ΔT:50	540	689	829	962	1088	1149	1324
	kcal	75/65/20 ΔT:50	466	594	714	829	938	990	1141
800	watt	75/65/20 ΔT:50	618	787	947	1099	1243	1313	1513
	kcal	75/65/20 ΔT:50	532	679	817	948	1072	1132	1304
900	watt	75/65/20 ΔT:50	695	886	1066	1237	1399	1477	1702
	kcal	75/65/20 ΔT:50	599	763	919	1066	1206	1273	1467
1000	watt	75/65/20 ΔT:50	772	984	1184	1374	1554	1641	1891
	kcal	75/65/20 ΔT:50	666	848	1021	1184	1340	1415	1630
1100	watt	75/65/20 ΔT:50	849	1082	1302	1511	1709	1805	2080
	kcal	75/65/20 ΔT:50	732	933	1123	1303	1474	1556	1793
1200	watt	75/65/20 ΔT:50	926	1181	1421	1649	1865	1969	2269
	kcal	75/65/20 ΔT:50	799	1018	1225	1421	1608	1698	1956
1300	watt	75/65/20 ΔT:50	1004	1279	1539	1786	2020	2133	2458
	kcal	75/65/20 ΔT:50	865	1103	1327	1540	1742	1839	2119
1400	watt	75/65/20 ΔT:50	1081	1378	1658	1924	2176	2297	2647
	kcal	75/65/20 ΔT:50	932	1188	1429	1658	1876	1981	2282
1500	watt	75/65/20 ΔT:50	1158	1476	1776	2061	2331	2462	2837
	kcal	75/65/20 ΔT:50	998	1272	1531	1777	2009	2122	2445
1600	watt	75/65/20 ΔT:50	1235	1574	1894	2198	2486	2626	3026
	kcal	75/65/20 ΔT:50	1065	1357	1633	1895	2143	2263	2608
1800	watt	75/65/20 ΔT:50	1390	1771	2131	2473	2797	2954	3404
	kcal	75/65/20 ΔT:50	1198	1527	1837	2132	2411	2546	2934
2000	watt	75/65/20 ΔT:50	1544	1968	2368	2748	3108	3282	3782
	kcal	75/65/20 ΔT:50	1331	1697	2041	2369	2679	2829	3260
2200	watt	75/65/20 ΔT:50	1698	2165	2605	3023	3419	3610	4160
	kcal	75/65/20 ΔT:50	1464	1866	2246	2606	2947	3112	3586
2400	watt	75/65/20 ΔT:50	1853	2362	2842	3298	3730	3938	4538
	kcal	75/65/20 ΔT:50	1597	2036	2450	2843	3215	3395	3912
2600	watt	75/65/20 ΔT:50	2007	2558	3078	3572	4040	4267	4917
	kcal	75/65/20 ΔT:50	1730	2206	2654	3080	3483	3678	4238
2800	watt	75/65/20 ΔT:50	2162	2755	3315	3847	4351	4595	5295
	kcal	75/65/20 ΔT:50	1863	2375	2858	3317	3751	3961	4564
3000	watt	75/65/20 ΔT:50	2316	2952	3552	4122	4662	4923	5673
	kcal	75/65/20 ΔT:50	1997	2545	3062	3553	4019	4244	4891

		Type 21							
watt - kcal		height							
n-coefficient		1,28	1,29	1,30	1,30	1,30	1,31	1,31	
Length	C	300	400	500	600	700	750	900	
400	watt	90/70/20 ΔT:60	390	498	600	697	789	833	960
	kcal	90/70/20 ΔT:60	336	429	517	601	680	718	827
500	watt	90/70/20 ΔT:60	488	623	750	871	986	1041	1200
	kcal	90/70/20 ΔT:60	421	537	647	751	850	897	1034
600	watt	90/70/20 ΔT:60	585	747	900	1046	1183	1249	1440
	kcal	90/70/20 ΔT:60	505	644	776	901	1020	1077	1241
700	watt	90/70/20 ΔT:60	683	872	1050	1220	1380	1457	1680
	kcal	90/70/20 ΔT:60	589	751	905	1052	1190	1256	1448
800	watt	90/70/20 ΔT:60	781	996	1200	1394	1577	1665	1920
	kcal	90/70/20 ΔT:60	673	859	1034	1202	1360	1436	1655
900	watt	90/70/20 ΔT:60	878	1121	1350	1568	1774	1874	2160
	kcal	90/70/20 ΔT:60	757	966	1164	1352	1529	1615	1862
1000	watt	90/70/20 ΔT:60	976	1245	1500	1743	1971	2082	2400
	kcal	90/70/20 ΔT:60	841	1073	1293	1502	1699	1795	2069
1100	watt	90/70/20 ΔT:60	1073	1370	1650	1917	2168	2290	2639
	kcal	90/70/20 ΔT:60	925	1181	1422	1653	1869	1974	2275
1200	watt	90/70/20 ΔT:60	1171	1494	1800	2091	2366	2498	2879
	kcal	90/70/20 ΔT:60	1009	1288	1552	1803	2039	2154	2482
1300	watt	90/70/20 ΔT:60	1268	1619	1950	2266	2563	2706	3119
	kcal	90/70/20 ΔT:60	1093	1395	1681	1953	2209	2333	2689
1400	watt	90/70/20 ΔT:60	1366	1743	2100	2440	2760	2915	3359
	kcal	90/70/20 ΔT:60	1178	1503	1810	2103	2379	2513	2896
1500	watt	90/70/20 ΔT:60	1464	1868	2250	2614	2957	3123	3599
	kcal	90/70/20 ΔT:60	1262	1610	1940	2253	2549	2692	3103
1600	watt	90/70/20 ΔT:60	1561	1992	2400	2788	3154	3331	3839
	kcal	90/70/20 ΔT:60	1346	1717	2069	2404	2719	2872	3310
1800	watt	90/70/20 ΔT:60	1756	2241	2700	3137	3548	3747	4319
	kcal	90/70/20 ΔT:60	1514	1932	2327	2704	3059	3230	3723
2000	watt	90/70/20 ΔT:60	1951	2490	3000	3485	3943	4164	4799
	kcal	90/70/20 ΔT:60	1682	2147	2586	3005	3399	3589	4137
2200	watt	90/70/20 ΔT:60	2146	2739	3300	3834	4337	4580	5279
	kcal	90/70/20 ΔT:60	1850	2361	2845	3305	3739	3948	4551
2400	watt	90/70/20 ΔT:60	2342	2988	3600	4182	4731	4996	5759
	kcal	90/70/20 ΔT:60	2019	2576	3103	3606	4079	4307	4965
2600	watt	90/70/20 ΔT:60	2537	3237	3900	4531	5125	5413	6239
	kcal	90/70/20 ΔT:60	2187	2791	3362	3906	4418	4666	5378
2800	watt	90/70/20 ΔT:60	2732	3486	4200	4880	5520	5829	6719
	kcal	90/70/20 ΔT:60	2355	3005	3621	4207	4758	5025	5792
3000	watt	90/70/20 ΔT:60	2927	3735	4500	5228	5914	6246	7199
	kcal	90/70/20 ΔT:60	2523	3220	3879	4507	5098	5384	6206



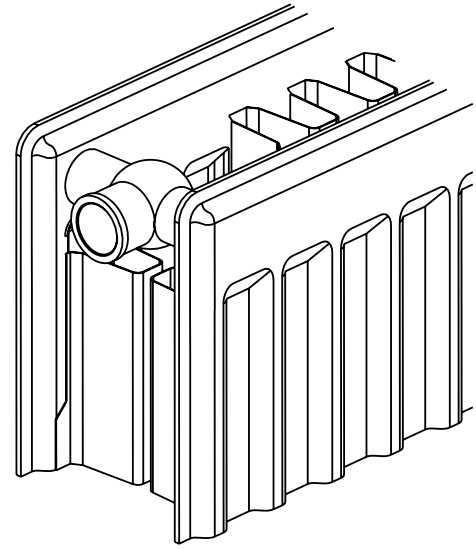
DIMENSIONAL FEATURES

Type	Nominal Size (mm)	Center of Distance (mm)	Width (mm)	Length Min. - Max. (mm)	Water Content (L/m)
21 PKP	300	245	70	400 - 3000	3,4
	400	345	70	400 - 3000	4,2
	500	445	70	400 - 3000	5,1
	600	545	70	400 - 3000	6,0
	700	645	70	400 - 3000	7,2
	900	845	70	400 - 3000	9,6



Type 22

Width (mm)	105
Height (mm)	300-400-500-600-700-900
Length (mm)	400-3000
Interval for length (mm)	1400-1600: 100 1600-3000: 200



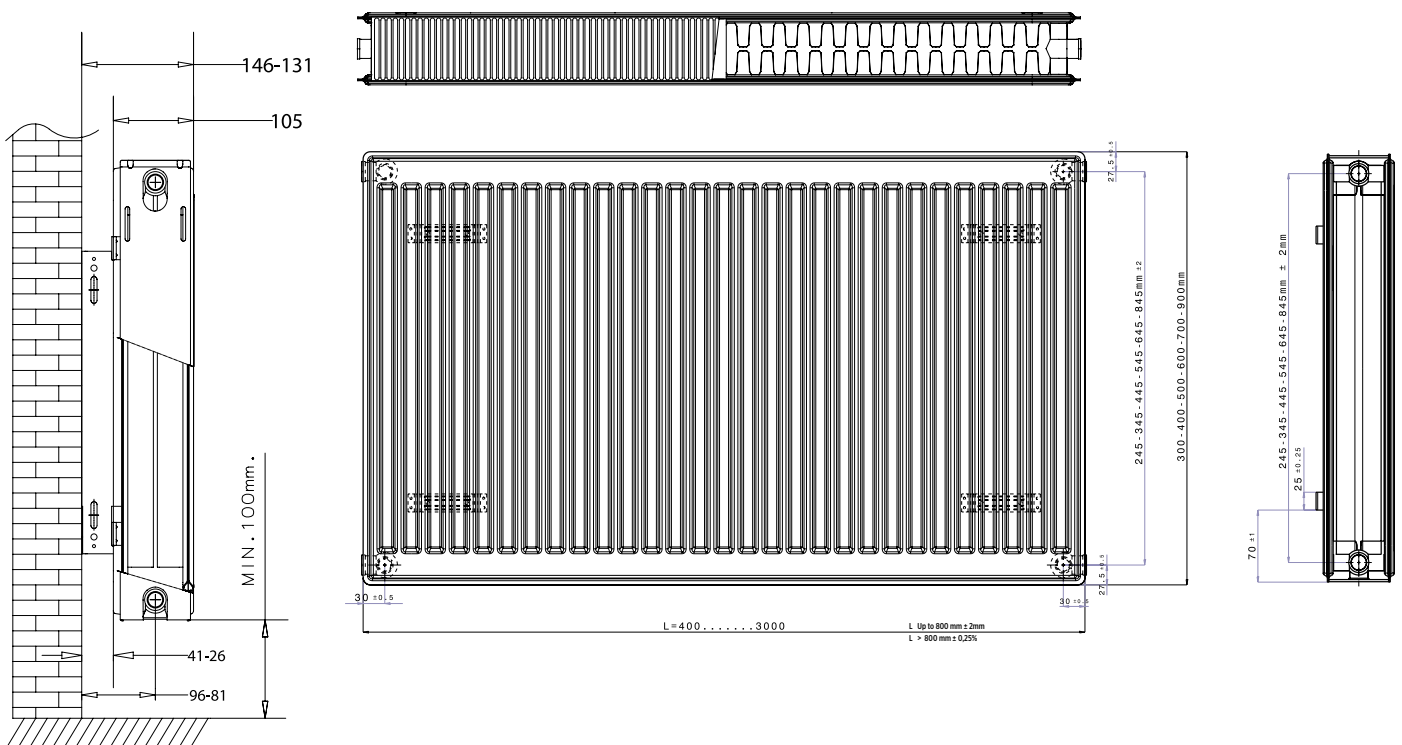
		Type 22							
watt - kcal		height							
n-coefficient		1,30	1,31	1,32	1,33	1,33	1,33	1,32	
Length	C	300	400	500	600	700	750	900	
400	watt	75/65/20 ΔT:50	392	504	609	714	805	851	983
	kcal	75/65/20 ΔT:50	338	434	525	615	694	733	847
500	watt	75/65/20 ΔT:50	491	630	762	892	1006	1064	1229
	kcal	75/65/20 ΔT:50	423	543	656	769	867	917	1059
600	watt	75/65/20 ΔT:50	589	755	914	1070	1207	1276	1474
	kcal	75/65/20 ΔT:50	507	651	788	923	1041	1100	1271
700	watt	75/65/20 ΔT:50	687	881	1066	1249	1408	1489	1720
	kcal	75/65/20 ΔT:50	592	760	919	1077	1214	1284	1483
800	watt	75/65/20 ΔT:50	785	1007	1218	1427	1610	1702	1966
	kcal	75/65/20 ΔT:50	677	868	1050	1230	1388	1467	1694
900	watt	75/65/20 ΔT:50	883	1133	1371	1606	1811	1914	2211
	kcal	75/65/20 ΔT:50	761	977	1182	1384	1561	1650	1906
1000	watt	75/65/20 ΔT:50	981	1259	1523	1784	2012	2127	2457
	kcal	75/65/20 ΔT:50	846	1085	1313	1538	1734	1834	2118
1100	watt	75/65/20 ΔT:50	1079	1385	1675	1962	2213	2340	2703
	kcal	75/65/20 ΔT:50	930	1194	1444	1692	1908	2017	2330
1200	watt	75/65/20 ΔT:50	1177	1511	1828	2141	2414	2552	2948
	kcal	75/65/20 ΔT:50	1015	1302	1576	1846	2081	2200	2542
1300	watt	75/65/20 ΔT:50	1275	1637	1980	2319	2616	2765	3194
	kcal	75/65/20 ΔT:50	1099	1411	1707	1999	2255	2384	2754
1400	watt	75/65/20 ΔT:50	1373	1763	2132	2498	2817	2978	3440
	kcal	75/65/20 ΔT:50	1184	1519	1838	2153	2428	2567	2965
1500	watt	75/65/20 ΔT:50	1472	1889	2285	2676	3018	3191	3686
	kcal	75/65/20 ΔT:50	1269	1628	1969	2307	2602	2750	3177
1600	watt	75/65/20 ΔT:50	1570	2014	2437	2854	3219	3403	3931
	kcal	75/65/20 ΔT:50	1353	1737	2101	2461	2775	2934	3389
1800	watt	75/65/20 ΔT:50	1766	2266	2741	3211	3622	3829	4423
	kcal	75/65/20 ΔT:50	1522	1954	2363	2768	3122	3301	3813
2000	watt	75/65/20 ΔT:50	1962	2518	3046	3568	4024	4254	4914
	kcal	75/65/20 ΔT:50	1691	2171	2626	3076	3469	3667	4236
2200	watt	75/65/20 ΔT:50	2158	2770	3351	3925	4426	4679	5405
	kcal	75/65/20 ΔT:50	1861	2388	2888	3383	3816	4034	4660
2400	watt	75/65/20 ΔT:50	2354	3022	3655	4282	4829	5105	5897
	kcal	75/65/20 ΔT:50	2030	2605	3151	3691	4163	4401	5083
2600	watt	75/65/20 ΔT:50	2551	3273	3960	4638	5231	5530	6388
	kcal	75/65/20 ΔT:50	2199	2822	3414	3999	4510	4767	5507
2800	watt	75/65/20 ΔT:50	2747	3525	4264	4995	5634	5956	6880
	kcal	75/65/20 ΔT:50	2368	3039	3676	4306	4857	5134	5931
3000	watt	75/65/20 ΔT:50	2943	3777	4569	5352	6036	6381	7371
	kcal	75/65/20 ΔT:50	2537	3256	3939	4614	5203	5501	6354

		Type 22							
watt - kcal		height							
n-coefficient		1,30	1,31	1,32	1,33	1,33	1,33	1,32	
Length	C	300	400	500	600	700	750	900	
400	watt	90/70/20 ΔT:60	497	639	775	910	1026	1084	1250
	kcal	90/70/20 ΔT:60	428	551	668	785	884	934	1078
500	watt	90/70/20 ΔT:60	621	799	969	1138	1282	1355	1563
	kcal	90/70/20 ΔT:60	535	689	835	981	1105	1168	1347
600	watt	90/70/20 ΔT:60	745	959	1163	1365	1538	1626	1876
	kcal	90/70/20 ΔT:60	643	827	1002	1177	1326	1401	1617
700	watt	90/70/20 ΔT:60	870	1119	1357	1593	1795	1897	2188
	kcal	90/70/20 ΔT:60	750	964	1169	1373	1547	1635	1886
800	watt	90/70/20 ΔT:60	994	1278	1550	1820	2051	2168	2501
	kcal	90/70/20 ΔT:60	857	1102	1336	1569	1768	1869	2156
900	watt	90/70/20 ΔT:60	1118	1438	1744	2048	2308	2439	2813
	kcal	90/70/20 ΔT:60	964	1240	1504	1765	1989	2102	2425
1000	watt	90/70/20 ΔT:60	1242	1598	1938	2275	2564	2709	3126
	kcal	90/70/20 ΔT:60	1071	1378	1671	1962	2210	2336	2695
1100	watt	90/70/20 ΔT:60	1366	1758	2132	2503	2820	2980	3438
	kcal	90/70/20 ΔT:60	1178	1515	1838	2158	2431	2569	2964
1200	watt	90/70/20 ΔT:60	1491	1918	2325	2730	3077	3251	3751
	kcal	90/70/20 ΔT:60	1285	1653	2005	2354	2652	2803	3234
1300	watt	90/70/20 ΔT:60	1615	2078	2519	2958	3333	3522	4064
	kcal	90/70/20 ΔT:60	1392	1791	2172	2550	2873	3036	3503
1400	watt	90/70/20 ΔT:60	1739	2237	2713	3186	3590	3793	4376
	kcal	90/70/20 ΔT:60	1499	1929	2339	2746	3095	3270	3773
1500	watt	90/70/20 ΔT:60	1863	2397	2907	3413	3846	4064	4689
	kcal	90/70/20 ΔT:60	1606	2067	2506	2942	3316	3504	4042
1600	watt	90/70/20 ΔT:60	1988	2557	3101	3641	4102	4335	5001
	kcal	90/70/20 ΔT:60	1713	2204	2673	3138	3537	3737	4312
1800	watt	90/70/20 ΔT:60	2236	2877	3488	4096	4615	4877	5627
	kcal	90/70/20 ΔT:60	1928	2480	3007	3531	3979	4204	4850
2000	watt	90/70/20 ΔT:60	2485	3196	3876	4551	5128	5419	6252
	kcal	90/70/20 ΔT:60	2142	2755	3341	3923	4421	4671	5389
2200	watt	90/70/20 ΔT:60	2733	3516	4263	5006	5641	5961	6877
	kcal	90/70/20 ΔT:60	2356	3031	3675	4315	4863	5139	5928
2400	watt	90/70/20 ΔT:60	2981	3835	4651	5461	6154	6503	7502
	kcal	90/70/20 ΔT:60	2570	3306	4009	4708	5305	5606	6467
2600	watt	90/70/20 ΔT:60	3230	4155	5038	5916	6666	7045	8127
	kcal	90/70/20 ΔT:60	2784	3582	4343	5100	5747	6073	7006
2800	watt	90/70/20 ΔT:60	3478	4475	5426	6371	7179	7586	8752
	kcal	90/70/20 ΔT:60	2999	3858	4678	5492	6189	6540	7545
3000	watt	90/70/20 ΔT:60	3727	4794	5814	6826	7692	8128	9378
	kcal	90/70/20 ΔT:60	3213	4133	5012	5885	6631	7007	8084

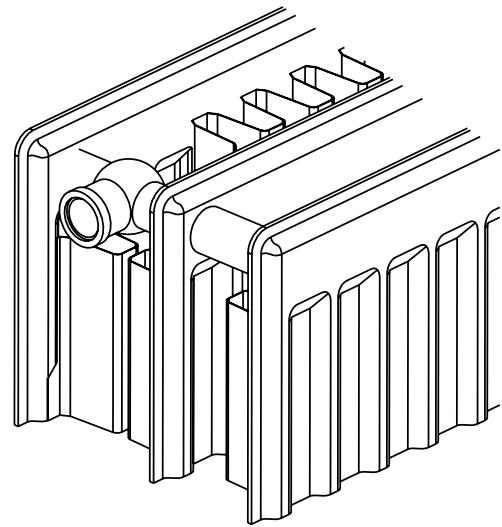


DIMENSIONAL FEATURES

Type	Nominal Size (mm)	Center of Distance (mm)	Width (mm)	Length Min. - Max. (mm)	Water Content (L/m)
22 PKKP	300	245	105	400 - 3000	3,5
	400	345	105	400 - 3000	4,4
	500	445	105	400 - 3000	5,3
	600	545	105	400 - 3000	6,2
	700	645	105	400 - 3000	7,2
	900	845	105	400 - 3000	9,3



Type 33



Width (mm)	160
Height (mm)	300-400-500-600-700-900
Length (mm)	400-3000
Interval for length (mm)	1400-1600: 100 1600-3000: 200

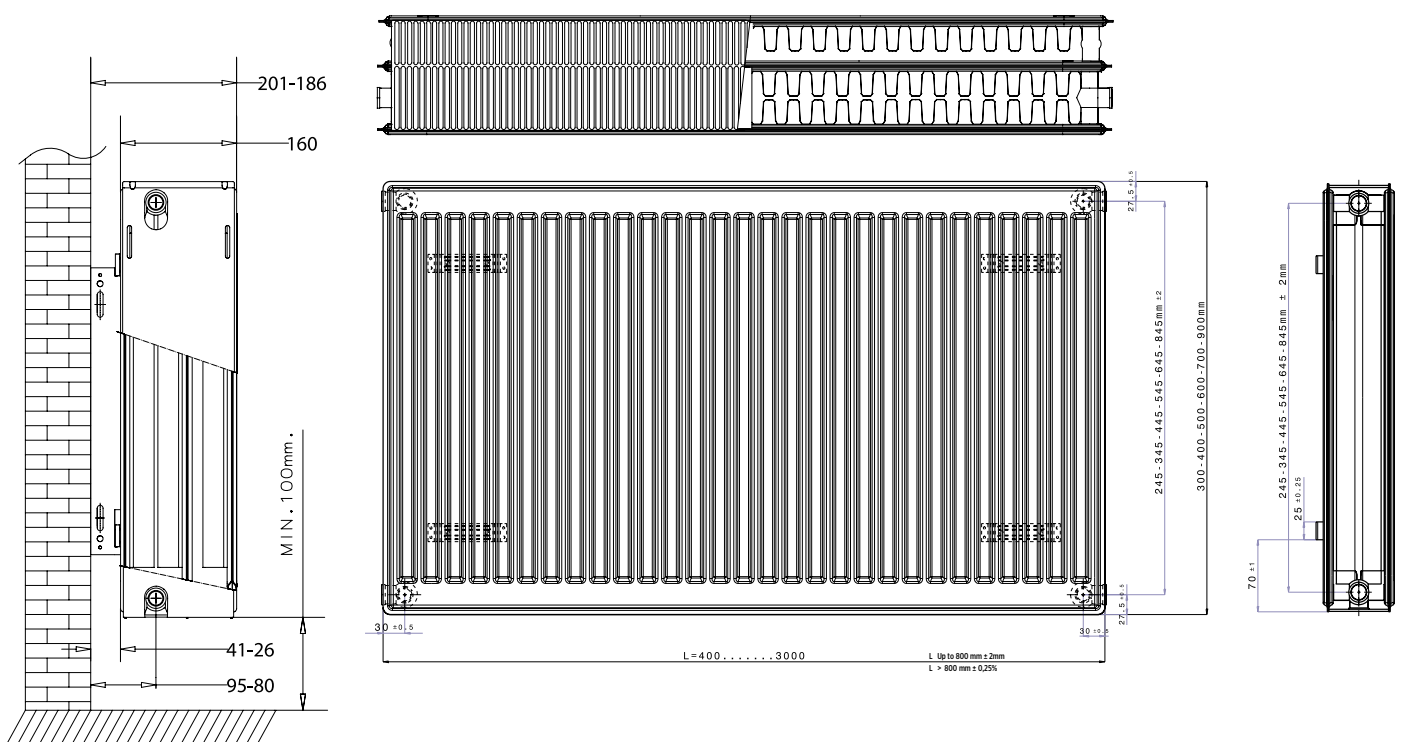
		Type 33							
watt - kcal		height							
n-coefficient		1,30	1,31	1,32	1,33	1,33	1,33	1,32	
Length	C	300	400	500	600	700	750	900	
400	watt	75/65/20 ΔT:50	392	504	609	714	805	851	983
	kcal	75/65/20 ΔT:50	338	434	525	615	694	733	847
500	watt	75/65/20 ΔT:50	491	630	762	892	1006	1064	1229
	kcal	75/65/20 ΔT:50	423	543	656	769	867	917	1059
600	watt	75/65/20 ΔT:50	589	755	914	1070	1207	1276	1474
	kcal	75/65/20 ΔT:50	507	651	788	923	1041	1100	1271
700	watt	75/65/20 ΔT:50	687	881	1066	1249	1408	1489	1720
	kcal	75/65/20 ΔT:50	592	760	919	1077	1214	1284	1483
800	watt	75/65/20 ΔT:50	785	1007	1218	1427	1610	1702	1966
	kcal	75/65/20 ΔT:50	677	868	1050	1230	1388	1467	1694
900	watt	75/65/20 ΔT:50	883	1133	1371	1606	1811	1914	2211
	kcal	75/65/20 ΔT:50	761	977	1182	1384	1561	1650	1906
1000	watt	75/65/20 ΔT:50	981	1259	1523	1784	2012	2127	2457
	kcal	75/65/20 ΔT:50	846	1085	1313	1538	1734	1834	2118
1100	watt	75/65/20 ΔT:50	1079	1385	1675	1962	2213	2340	2703
	kcal	75/65/20 ΔT:50	930	1194	1444	1692	1908	2017	2330
1200	watt	75/65/20 ΔT:50	1177	1511	1828	2141	2414	2552	2948
	kcal	75/65/20 ΔT:50	1015	1302	1576	1846	2081	2200	2542
1300	watt	75/65/20 ΔT:50	1275	1637	1980	2319	2616	2765	3194
	kcal	75/65/20 ΔT:50	1099	1411	1707	1999	2255	2384	2754
1400	watt	75/65/20 ΔT:50	1373	1763	2132	2498	2817	2978	3440
	kcal	75/65/20 ΔT:50	1184	1519	1838	2153	2428	2567	2965
1500	watt	75/65/20 ΔT:50	1472	1889	2285	2676	3018	3191	3686
	kcal	75/65/20 ΔT:50	1269	1628	1969	2307	2602	2750	3177
1600	watt	75/65/20 ΔT:50	1570	2014	2437	2854	3219	3403	3931
	kcal	75/65/20 ΔT:50	1353	1737	2101	2461	2775	2934	3389
1800	watt	75/65/20 ΔT:50	1766	2266	2741	3211	3622	3829	4423
	kcal	75/65/20 ΔT:50	1522	1954	2363	2768	3122	3301	3813
2000	watt	75/65/20 ΔT:50	1962	2518	3046	3568	4024	4254	4914
	kcal	75/65/20 ΔT:50	1691	2171	2626	3076	3469	3667	4236
2200	watt	75/65/20 ΔT:50	2158	2770	3351	3925	4426	4679	5405
	kcal	75/65/20 ΔT:50	1861	2388	2888	3383	3816	4034	4660
2400	watt	75/65/20 ΔT:50	2354	3022	3655	4282	4829	5105	5897
	kcal	75/65/20 ΔT:50	2030	2605	3151	3691	4163	4401	5083
2600	watt	75/65/20 ΔT:50	2551	3273	3960	4638	5231	5530	6388
	kcal	75/65/20 ΔT:50	2199	2822	3414	3999	4510	4767	5507
2800	watt	75/65/20 ΔT:50	2747	3525	4264	4995	5634	5956	6880
	kcal	75/65/20 ΔT:50	2368	3039	3676	4306	4857	5134	5931
3000	watt	75/65/20 ΔT:50	2943	3777	4569	5352	6036	6381	7371
	kcal	75/65/20 ΔT:50	2537	3256	3939	4614	5203	5501	6354

		Type 33							
watt - kcal		height							
n-coefficient		1,30	1,31	1,32	1,33	1,33	1,33	1,32	
Length	C	300	400	500	600	700	750	900	
400	watt	90/70/20 ΔT:60	497	639	775	910	1026	1084	1250
	kcal	90/70/20 ΔT:60	428	551	668	785	884	934	1078
500	watt	90/70/20 ΔT:60	621	799	969	1138	1282	1355	1563
	kcal	90/70/20 ΔT:60	535	689	835	981	1105	1168	1347
600	watt	90/70/20 ΔT:60	745	959	1163	1365	1538	1626	1876
	kcal	90/70/20 ΔT:60	643	827	1002	1177	1326	1401	1617
700	watt	90/70/20 ΔT:60	870	1119	1357	1593	1795	1897	2188
	kcal	90/70/20 ΔT:60	750	964	1169	1373	1547	1635	1886
800	watt	90/70/20 ΔT:60	994	1278	1550	1820	2051	2168	2501
	kcal	90/70/20 ΔT:60	857	1102	1336	1569	1768	1869	2156
900	watt	90/70/20 ΔT:60	1118	1438	1744	2048	2308	2439	2813
	kcal	90/70/20 ΔT:60	964	1240	1504	1765	1989	2102	2425
1000	watt	90/70/20 ΔT:60	1242	1598	1938	2275	2564	2709	3126
	kcal	90/70/20 ΔT:60	1071	1378	1671	1962	2210	2336	2695
1100	watt	90/70/20 ΔT:60	1366	1758	2132	2503	2820	2980	3438
	kcal	90/70/20 ΔT:60	1178	1515	1838	2158	2431	2569	2964
1200	watt	90/70/20 ΔT:60	1491	1918	2325	2730	3077	3251	3751
	kcal	90/70/20 ΔT:60	1285	1653	2005	2354	2652	2803	3234
1300	watt	90/70/20 ΔT:60	1615	2078	2519	2958	3333	3522	4064
	kcal	90/70/20 ΔT:60	1392	1791	2172	2550	2873	3036	3503
1400	watt	90/70/20 ΔT:60	1739	2237	2713	3186	3590	3793	4376
	kcal	90/70/20 ΔT:60	1499	1929	2339	2746	3095	3270	3773
1500	watt	90/70/20 ΔT:60	1863	2397	2907	3413	3846	4064	4689
	kcal	90/70/20 ΔT:60	1606	2067	2506	2942	3316	3504	4042
1600	watt	90/70/20 ΔT:60	1988	2557	3101	3641	4102	4335	5001
	kcal	90/70/20 ΔT:60	1713	2204	2673	3138	3537	3737	4312
1800	watt	90/70/20 ΔT:60	2236	2877	3488	4096	4615	4877	5627
	kcal	90/70/20 ΔT:60	1928	2480	3007	3531	3979	4204	4850
2000	watt	90/70/20 ΔT:60	2485	3196	3876	4551	5128	5419	6252
	kcal	90/70/20 ΔT:60	2142	2755	3341	3923	4421	4671	5389
2200	watt	90/70/20 ΔT:60	2733	3516	4263	5006	5641	5961	6877
	kcal	90/70/20 ΔT:60	2356	3031	3675	4315	4863	5139	5928
2400	watt	90/70/20 ΔT:60	2981	3835	4651	5461	6154	6503	7502
	kcal	90/70/20 ΔT:60	2570	3306	4009	4708	5305	5606	6467
2600	watt	90/70/20 ΔT:60	3230	4155	5038	5916	6666	7045	8127
	kcal	90/70/20 ΔT:60	2784	3582	4343	5100	5747	6073	7006
2800	watt	90/70/20 ΔT:60	3478	4475	5426	6371	7179	7586	8752
	kcal	90/70/20 ΔT:60	2999	3858	4678	5492	6189	6540	7545
3000	watt	90/70/20 ΔT:60	3727	4794	5814	6826	7692	8128	9378
	kcal	90/70/20 ΔT:60	3213	4133	5012	5885	6631	7007	8084



DIMENSIONAL FEATURES

Type	Nominal Size (mm)	Center of Distance (mm)	Width (mm)	Length Min. - Max. (mm)	Water Content (L/m)
33 DKEK	300	245	160	400 - 3000	5,2
	400	345	160	400 - 3000	6,5
	500	445	160	400 - 3000	7,8
	600	545	160	400 - 3000	9,2
	700	645	105	400 - 3000	10,7
	900	845	160	400 - 3000	13,9



Compact panel radiators



Test Pressure 13 bar	Max. Operation Pressure 10 bar	Max. Water Temperature 110 °C	Warranty 10 years	Number of Connection 6xDIN G ^{1/2}
-----------------------------------	---	--	--------------------------------	--

Extensive product range

Warmhaus compact radiators fits perfectly every living space with its extensive product range.

- Six connections
- Thermostatic control
- Bottom connection
- High thermal efficiency
- Left/right/middle* connection option
- With or without hanger

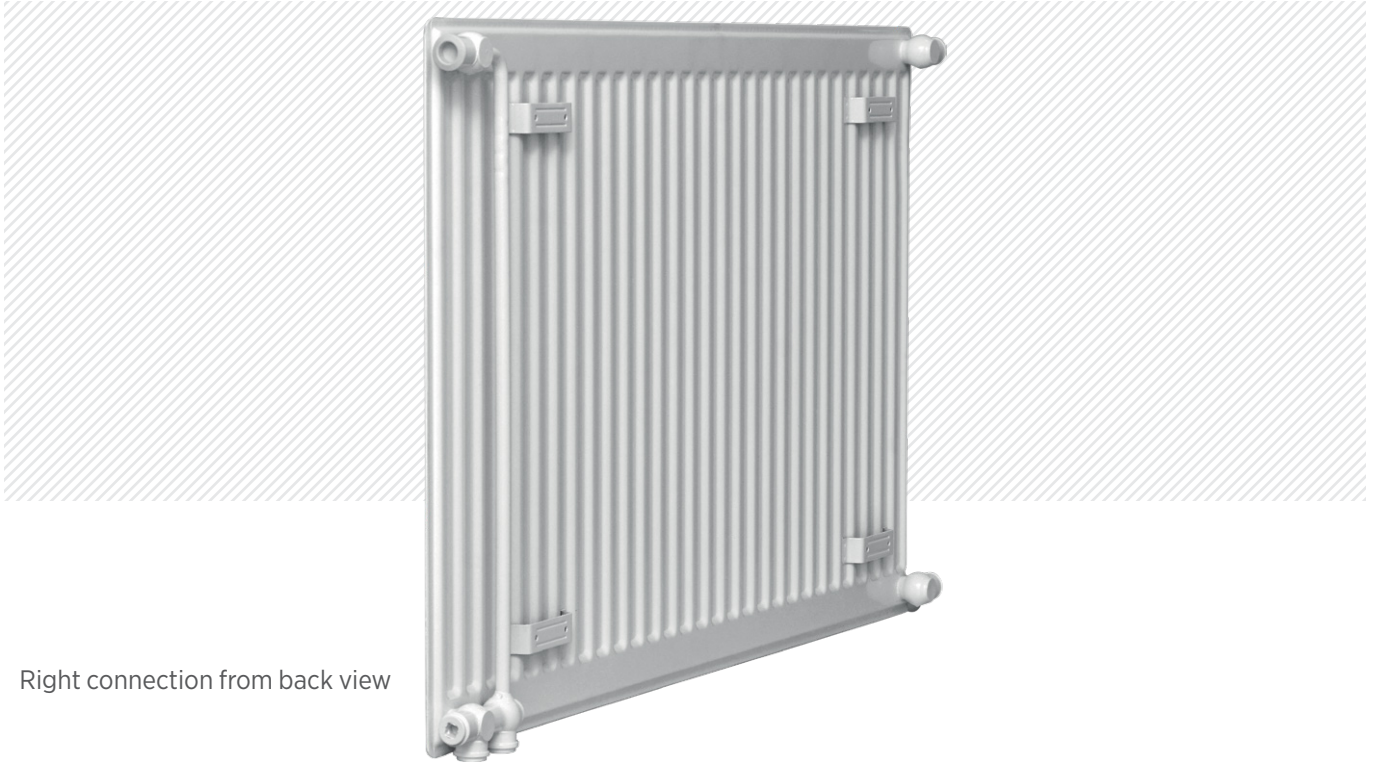


H Ventil

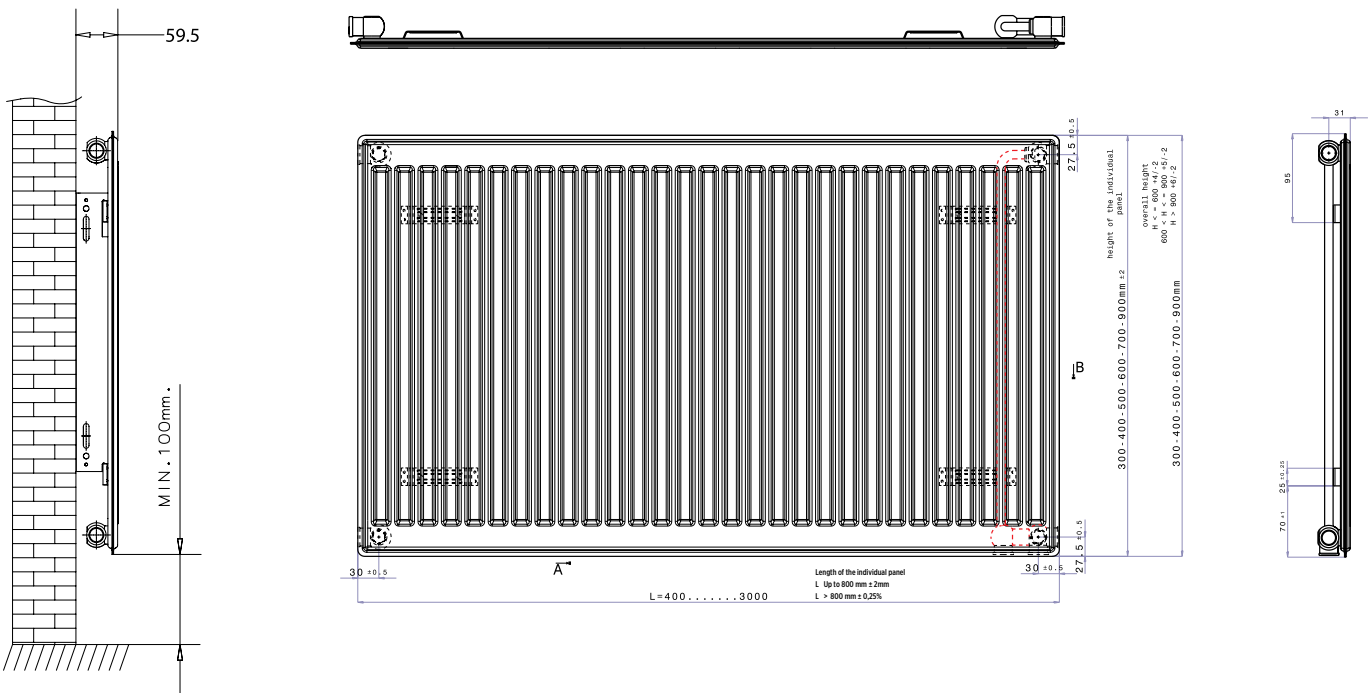
	Type 10	Type 11	Type 21
Width (mm)	47,5	50	70
Height (mm)	300-400-500-600-700-900	300-400-500-600-700-900	300-400-500-600-700-900
Length (mm)	400-3000	400-3000	400-3000
	Type 22	Type 33	
Width (mm)	105	160	
Height (mm)	300-400-500-600-700-900	300-400-500-600-700-900	
Length (mm)	400-3000	400-3000	

*Please contact with your sales representative for middle connection option.

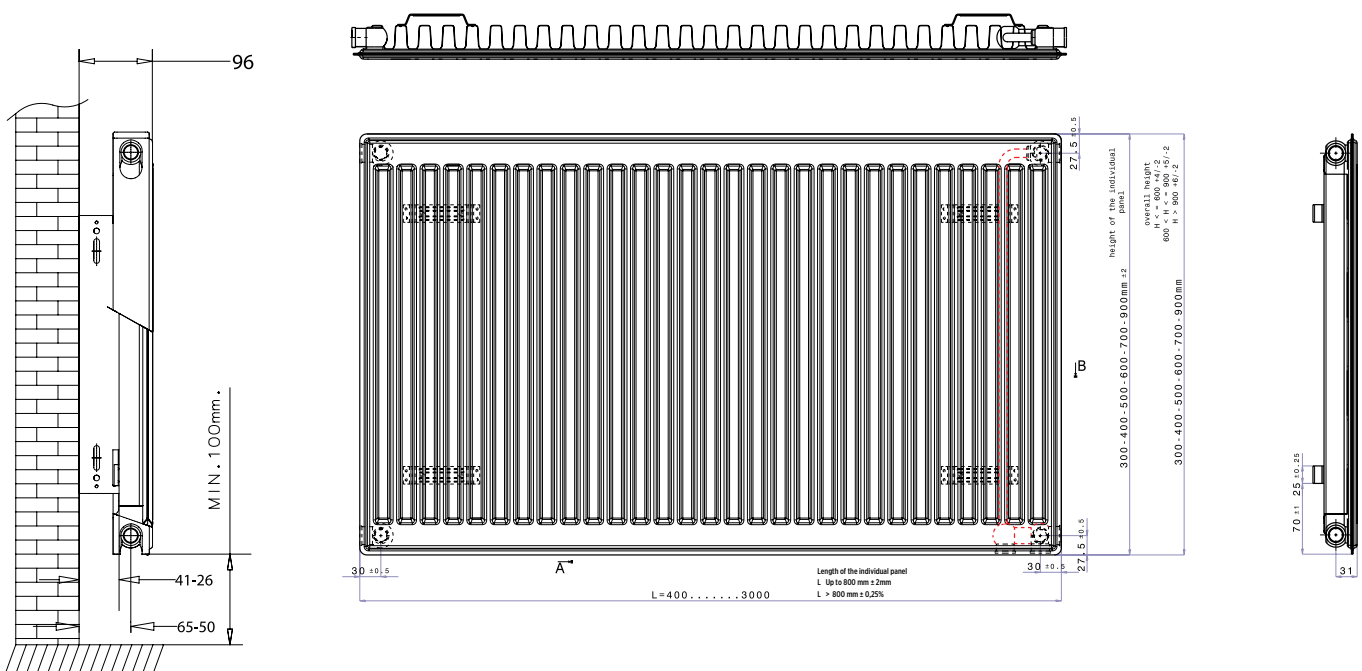
Type 10 Compact



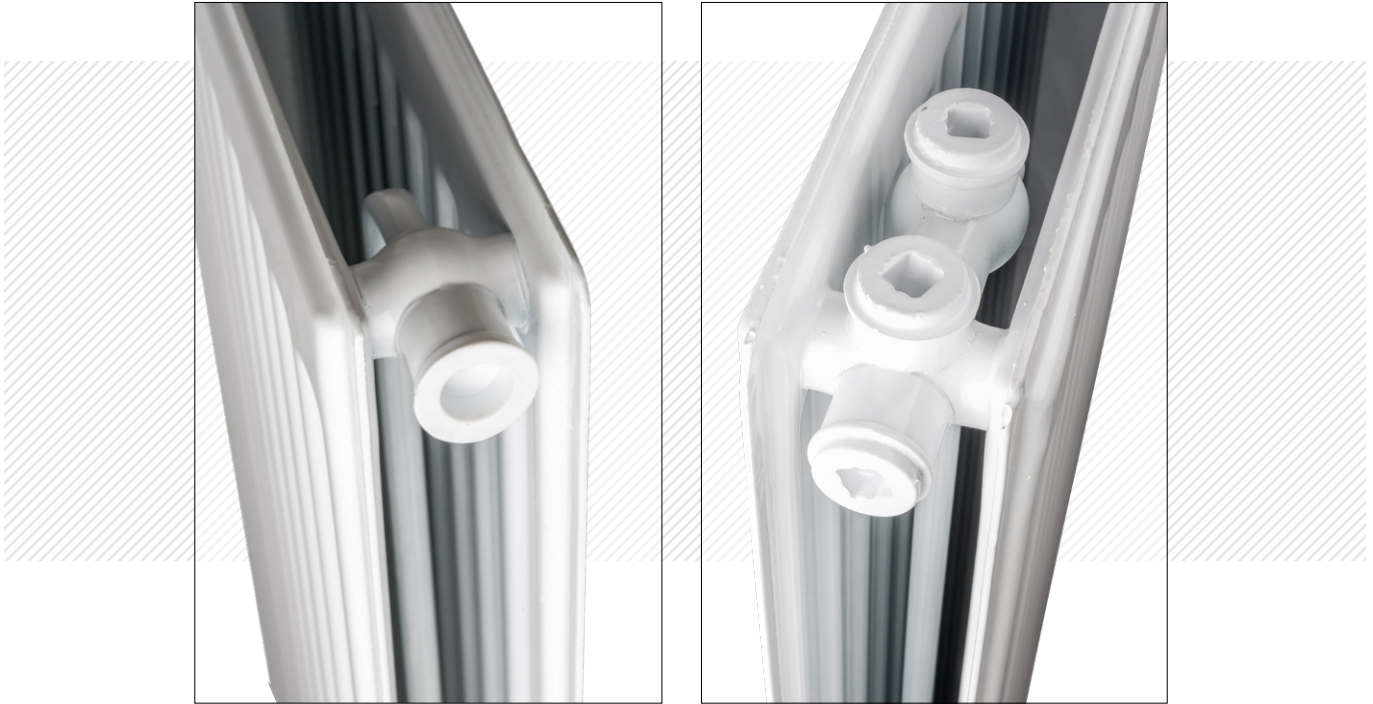
Right connection from back view



Type 11 Compact

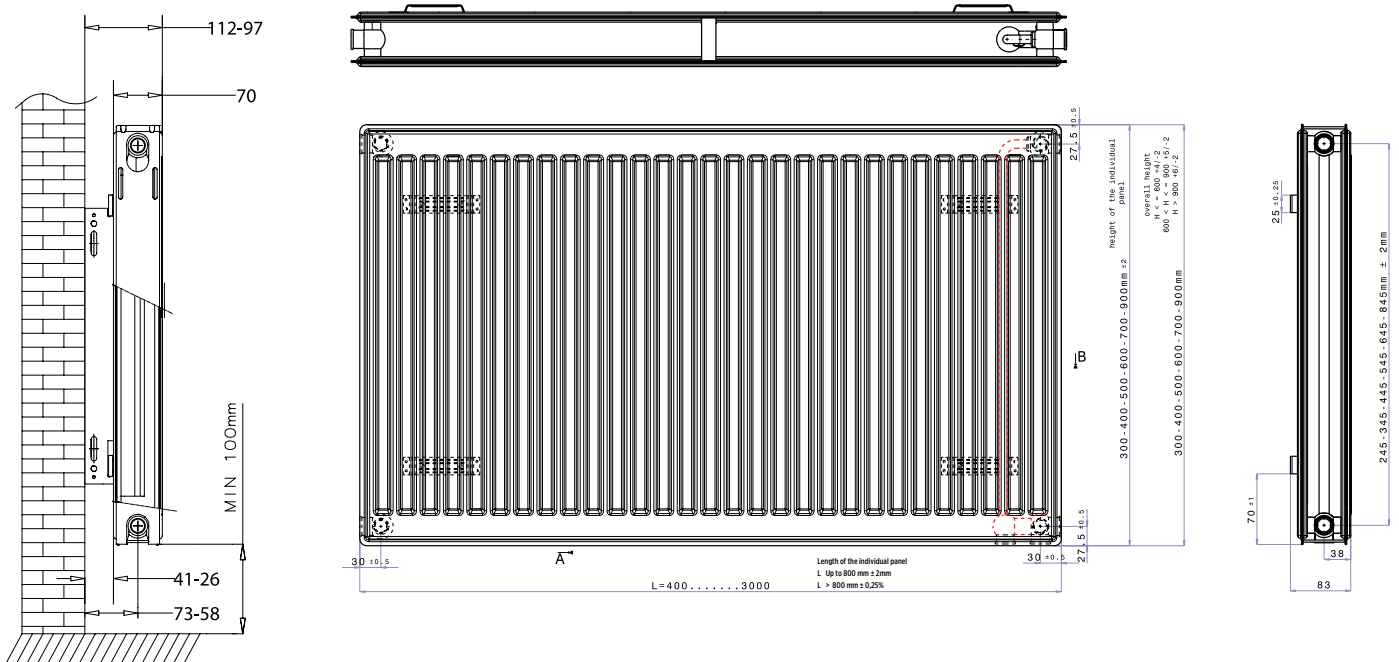


Type 20 Compact

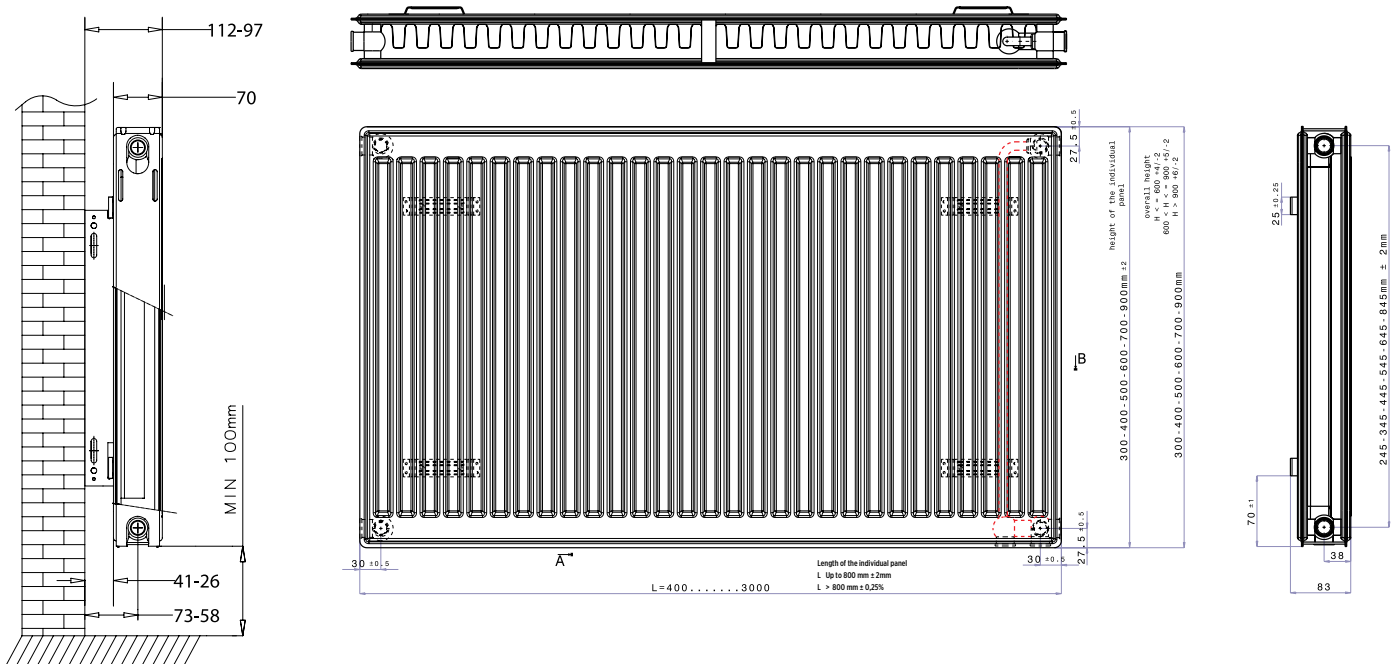


Left/right connection from top view

Left/right connection from bottom view



Type 21 Compact



Type 22 Compact

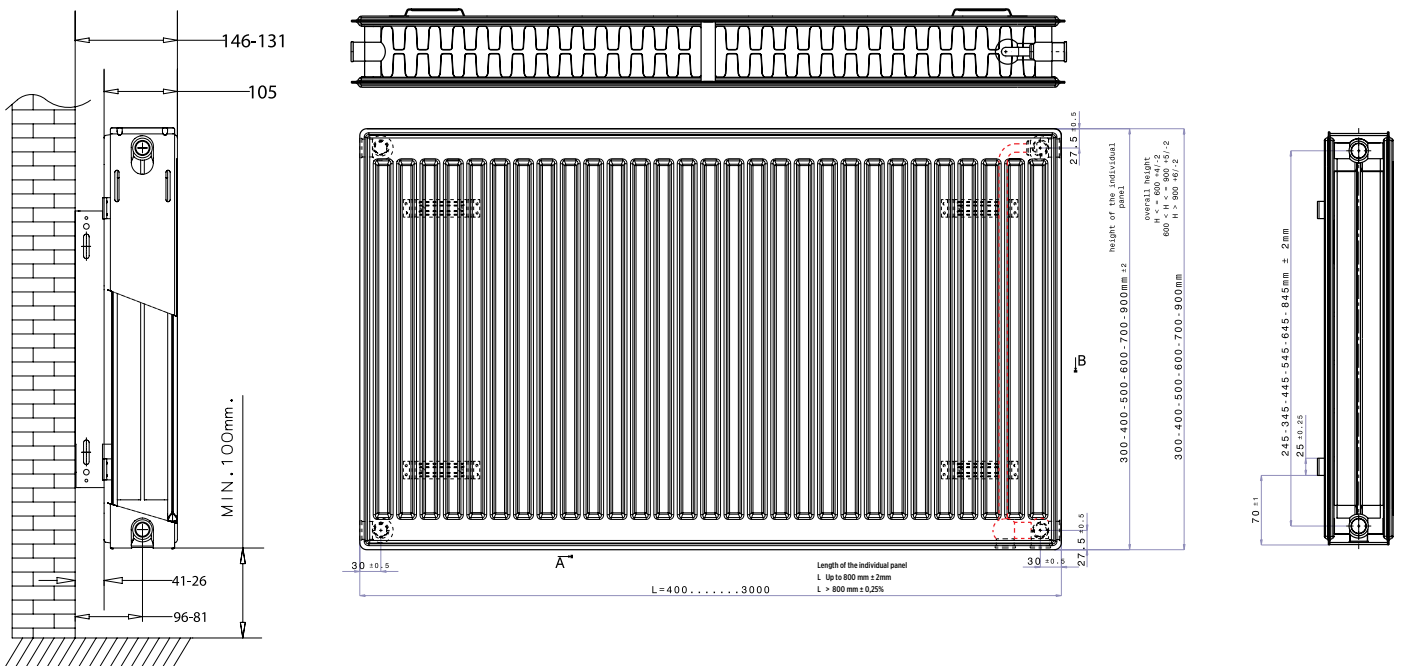


Left/right connection from top view

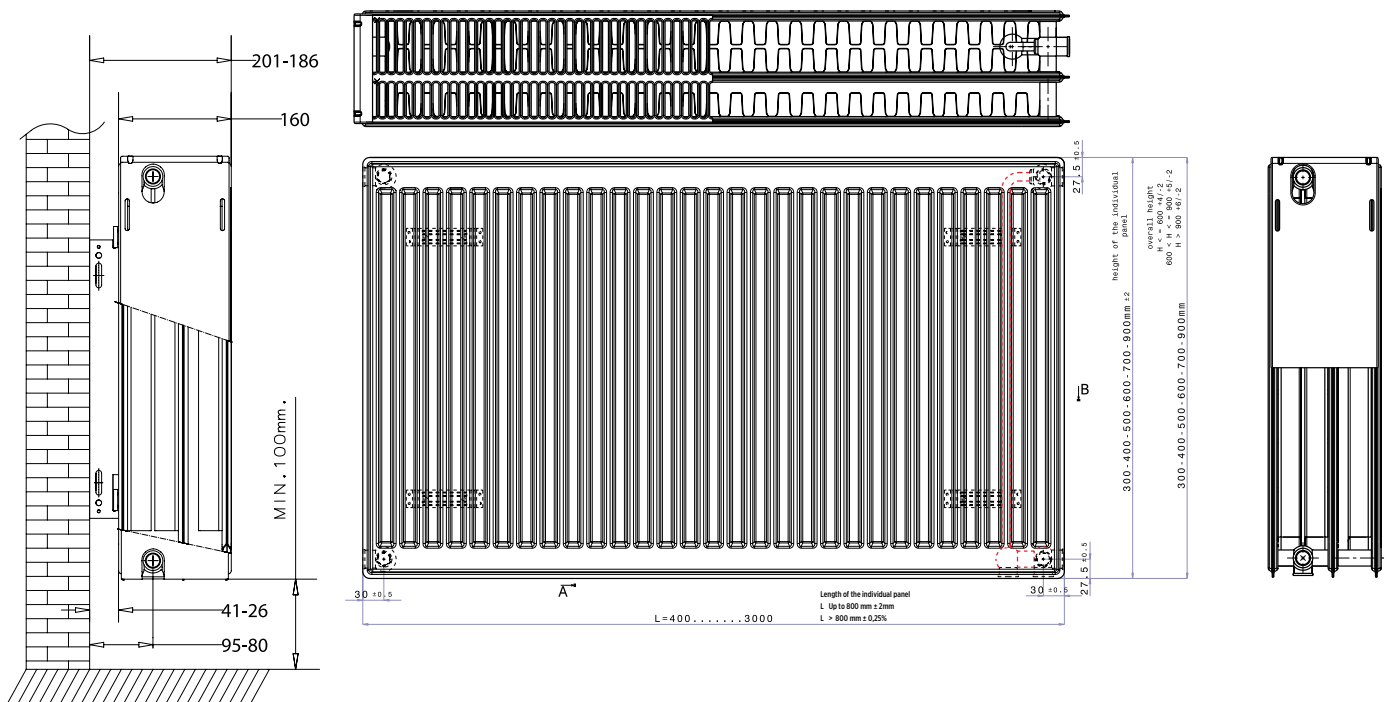
Left/right connection from bottom view

Middle connection from top view

Middle connection from bottom view



Type 33 Compact



Hygienic panel radiators



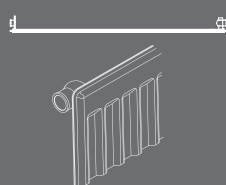
Test Pressure	bar	Max. Operation Pressure	bar	Max. Water Temperature	°C	Warranty	Number of Connection
13		10		110		10	4xDIN 6xDIN

Superb clean

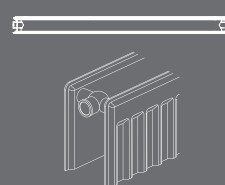
Hygienic radiators which offers superb cleaning and functionality are suitable for use at hospitals and spaces requiring high degree of hygiene through its structure of without convector. It holds the dust at minimum level by means of inner structure suitable for ventilation and its wide intervals make the cleaning process extremely easy.



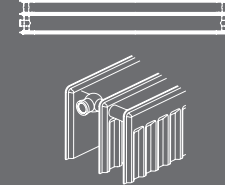
Type 10



Type 20



Type 30



	Type 10	Type 20	Type 30
Width (mm)	47,5	70	160
Height (mm)	300-400-500-600-700-900	300-400-500-600-700-900	300-400-500-600-700-900
Length (mm)	400-3000	400-3000	400-3000
Interval (mm)	100-400-1600-200-1600-3000	100-400-1600-200-1600-3000	100-400-1600-200-1600-3000

Decorative panel radiators



Elegant

Warmhaus decorative product range offer elegance, style and flexibility to answer everybody's choices. We have broad range of products available in a range of unlimited color, finishing and size alternatives.



Vertical decorative panel radiators

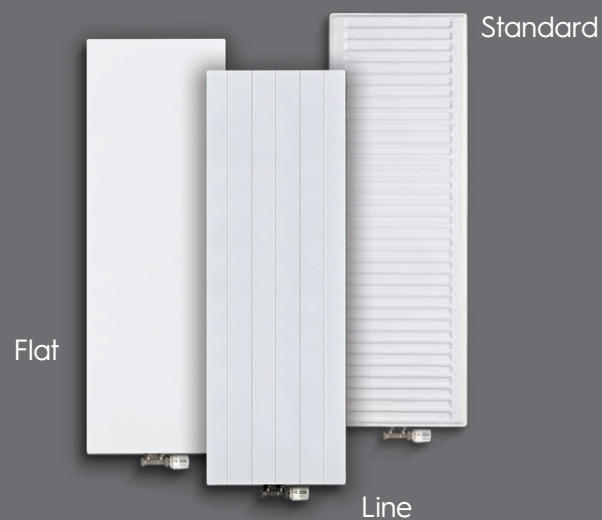
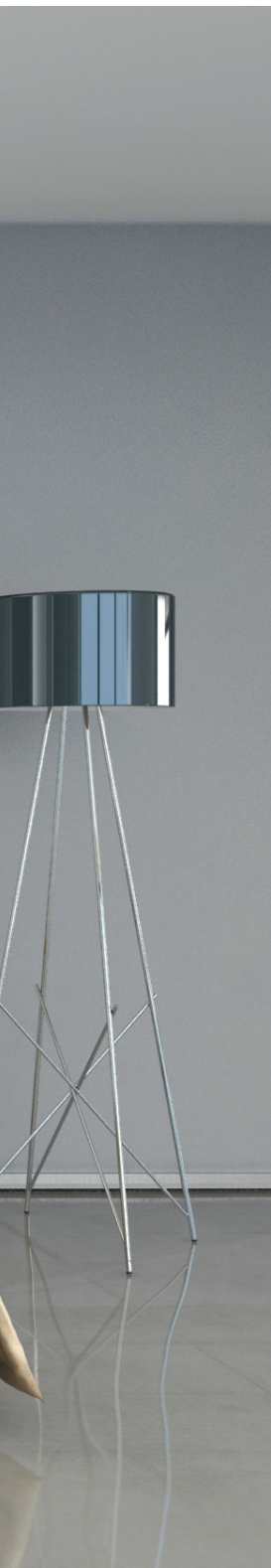


Test Pressure	bar	Max. Operation Pressure	bar	Max. Water Temperature	°C	Warranty	Number of Connection
13		10		110		10	4xDIN 6xDIN
							G 1/2

Best for limited spaces

Warmhaus Vertical Radiators are the best solution for limited space because they use only the height of the space they are in. It can be obtained as a standard radiator, as well as flat, transverse, longitudinal stripes and color options. It has an efficient and high thermal value, except that it is a decorative object in space-saving and living space.

- Extensive color and design alternatives
- Possibility for individualization with flat and horizontal lines
- Vertical use in order to gain room at living spaces



Type 10

Type 20

Width (mm)	47,5	70
Height (mm)	1600-2400	1600-2400
Length (mm)	400-500-600	400-500-600

Horizontal decorative panel radiators

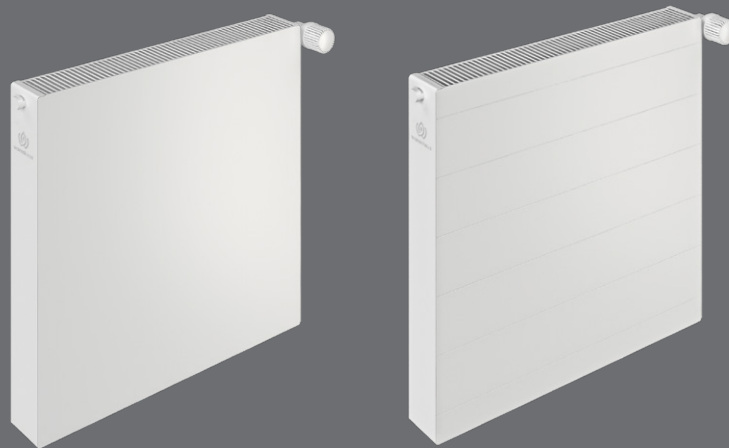


Test Pressure 13 bar	Max. Operation Pressure 10 bar	Max. Water Temperature 110 °C	Warranty 10 years	Number of Connection 4xDIN 6xDIN G 1/2
-----------------------------------	---	--	--------------------------------	---

Flat and line

Warmhaus horizontal decorative panel radiators have surface with optimum thermal efficiency and easily cleanable besides the elegant look. All the advantages of the Compact Ventilator and In-line Radiator can be applied in a flat radiator. Straight Radiators can be customized with Vertical and Horizontal lines and wide color and pattern options.

- Elegant appearance with smooth surface
- Flat and horizontal line options



Flat

Line

Type 11

Type 21

Type 22

Type 33

	Type 11	Type 21	Type 22	Type 33
Width (mm)	50	70	105	160
Height (mm)	300-400-500-600-700-900	300-400-500-600-700-900	300-400-500-600-700-900	300-400-500-600-700-900
Length (mm)	400-3000	400-3000	400-3000	400-3000

Colorful panel radiators

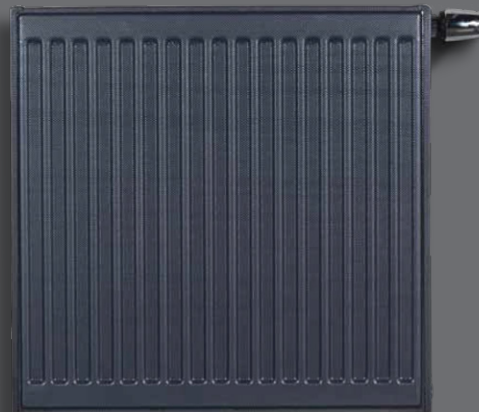


Test Pressure	bar	Max. Operation Pressure	bar	Max. Water Temperature	°C	Warranty	Number of Connection
13		10		110		10	4xDIN 6xDIN
							G 1/2

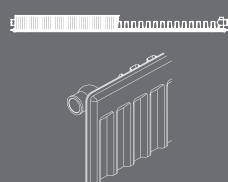
Limit is your imagination

Warmhaus Colorful radiators will bring color to your life with unlimited color and design alternatives. Choose any radiator from extensive Warmhaus product range, select image to be printed or color you want and we will realize your imagination.

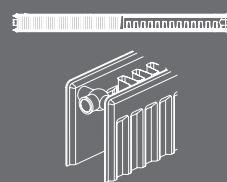
- Extensive color and design range
- Applicable to all types



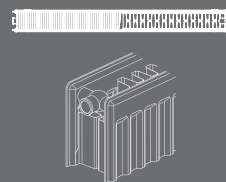
Type 11



Type 21



Type 22



Width (mm)	50	70	105
Height (mm)	500-600-700-900	500-600-700-900	500-600-700-900
Length (mm)	500-1800	500-1800	400-3000

Towel radiators



Test Pressure	Max. Water Temperature	Warranty	Colour
13 bar	95 °C	5 	Chromated White



Stylish

Enjoy the style and comfort of Warmhaus towel radiators ideal for your kitchen and bathroom.

- Ideal for kitchens and bathrooms
- Practical drying performance
- Straight & Oval Type Options
- Chrome and white coated steel construction

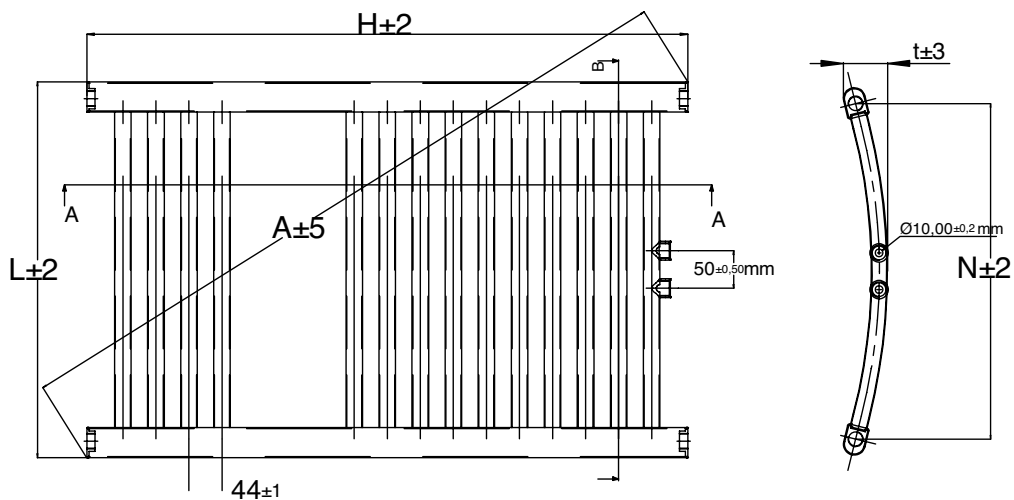


White
Straight & Oval
Options



Chrome
Straight & Oval
Options

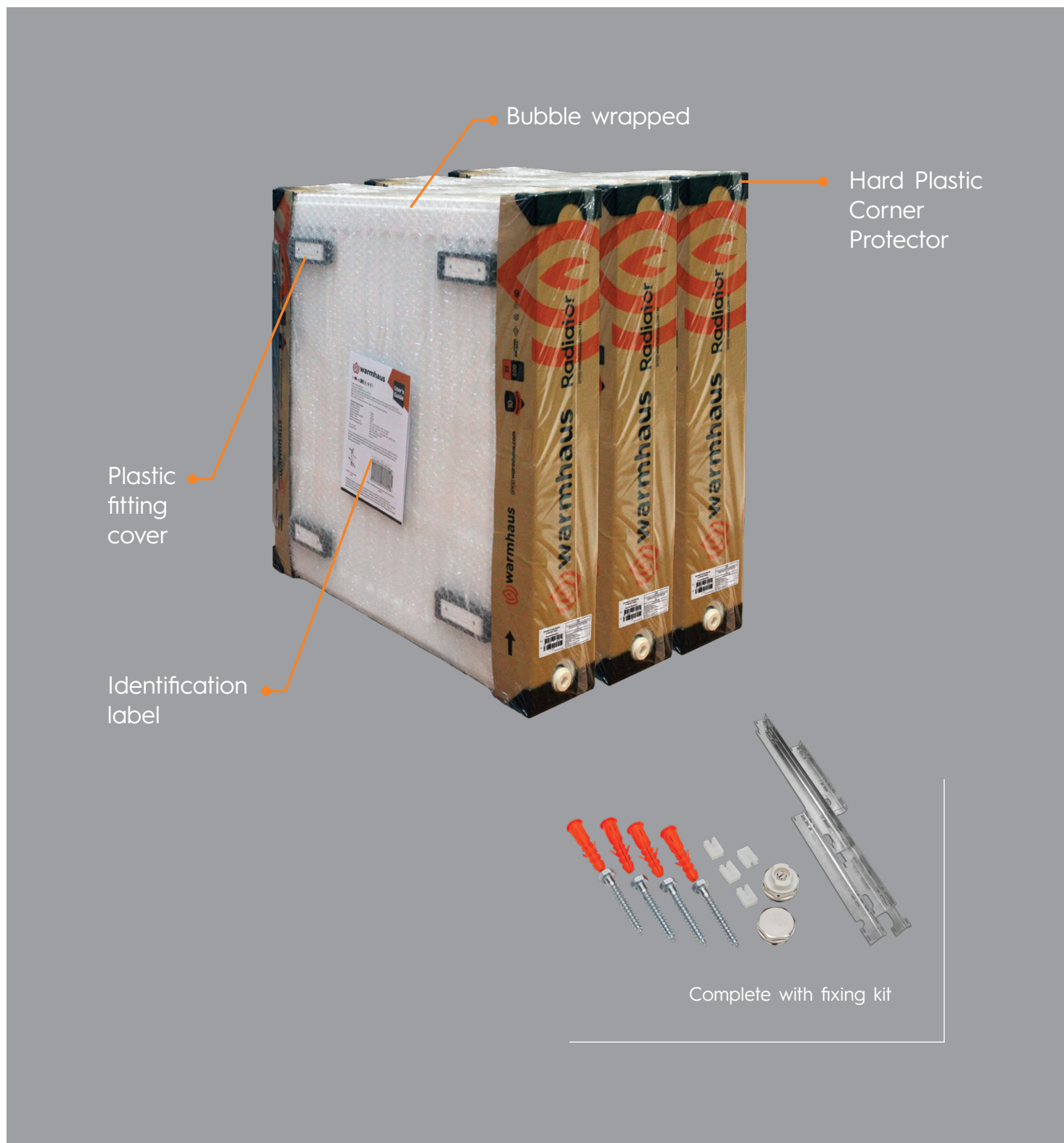
Width (mm)	Height (mm)	Pipe Qty.	Weight (kg)	Liquid Vol. (Lt)	80/60/20 °C ΔT:50 °C				80/60/24 °C ΔT:46 °C				80/60/26 °C	
					WHITE		CHROME		WHITE		CHROME		WHITE	
					Kcal/h	Watt	Kcal/h	Watt	Kcal/h	Watt	Kcal/h	Watt	Kcal/h	Watt
400	600	9	3,2	1,99	186	216	130	151	171	199	120	139	164	190
500	600	9	3,6	2,26	217	252	152	177	200	232	140	163	191	222
600	600	9	4	2,53	248	288	174	202	228	265	160	186	218	254
400	700	12	3,8	2,47	234	272	164	190	215	250	151	175	206	239
500	700	12	4,4	2,83	275	320	193	224	253	294	177	206	242	281
600	700	12	4,9	3,19	316	368	221	257	291	338	204	237	278	323
400	800	13	4,2	2,95	259	301	181	211	238	277	167	194	228	265
500	800	13	4,8	3,39	303	352	212	247	279	324	195	227	267	310
600	800	13	5,4	3,85	348	405	244	283	320	372	224	261	306	356
400	1000	16	5,2	3,50	321	373	225	261	295	343	207	240	282	329
500	1000	16	5,9	4,03	375	436	263	305	345	401	242	281	330	384
600	1000	16	6,6	4,53	427	496	299	348	393	456	275	320	376	436
400	1100	18	5,7	3,99	357	415	250	291	328	382	230	267	314	365
500	1100	18	6,5	4,59	418	486	293	340	385	447	269	313	368	428
600	1100	18	7,3	5,19	480	558	336	391	442	514	309	360	422	491
400	1200	20	6,2	4,37	394	458	276	321	362	422	254	295	347	403
500	1200	20	7,1	5,03	462	537	323	376	425	494	298	346	407	473
600	1200	20	8	5,69	530	616	371	431	488	567	341	397	466	542
400	1400	25	7,4	5,06	478	556	335	389	440	511	308	358	421	489
500	1400	25	8,6	5,78	563	655	394	458	518	602	363	422	495	576
600	1400	25	9,7	6,60	648	754	454	528	596	693	417	485	570	663
400	1600	27	8,2	5,61	528	614	370	430	486	565	340	395	465	540
500	1600	27	9,5	6,42	620	721	434	505	570	663	399	464	546	635
600	1600	27	10,7	7,22	712	828	498	580	655	762	459	533	627	729
400	1700	29	8,8	5,99	564	656	395	459	519	603	363	422	496	577
500	1700	29	10,1	6,86	663	771	464	540	610	709	427	497	583	679
600	1700	29	11,4	7,72	762	886	533	620	701	815	491	571	671	780
400	1800	31	9,3	6,38	601	699	421	489	553	643	387	450	529	615
500	1800	31	10,7	7,30	706	821	494	575	650	755	455	529	621	723
600	1800	31	12,1	8,22	812	944	568	661	747	869	523	608	715	831



$\Delta T: 44\text{ }^{\circ}\text{C}$		90/70/20 $^{\circ}\text{C}$ $\Delta T: 60\text{ }^{\circ}\text{C}$				70/50/24 $^{\circ}\text{C}$ $\Delta T: 36\text{ }^{\circ}\text{C}$				70/50/26 $^{\circ}\text{C}$ $\Delta T: 39\text{ }^{\circ}\text{C}$			
CHROME		WHITE		CHROME		WHITE		CHROME		WHITE		CHROME	
Output		Thermal Output				Thermal Output				Thermal Output			
Kcal/h	Watt	Kcal/h	Watt	Kcal/h	Watt	Kcal/h	Watt	Kcal/h	Watt	Kcal/h	Watt	Kcal/h	Watt
115	133	231	269	162	188	134	156	94	109	145	169	102	118
134	155	269	313	189	219	156	182	109	127	169	197	118	138
153	178	308	358	215	250	179	208	125	145	193	225	135	157
144	168	290	338	203	236	168	196	118	137	183	212	128	149
169	197	341	396	239	277	198	230	139	161	215	249	150	175
195	226	391	455	274	319	228	265	159	185	246	287	173	201
160	186	321	373	225	261	186	217	131	152	202	235	141	164
187	217	375	436	263	306	218	254	153	178	236	275	165	192
214	249	431	501	302	351	251	291	175	204	271	316	190	221
198	230	397	462	278	324	231	269	162	188	250	291	175	204
231	269	464	540	325	378	270	314	189	220	293	340	205	238
263	306	528	614	370	430	307	357	215	250	333	387	233	271
220	256	442	514	309	360	257	299	180	209	278	324	195	227
257	299	517	601	362	421	301	350	211	245	326	379	228	265
296	344	593	690	415	483	346	402	242	281	374	435	262	305
243	282	487	567	341	397	284	330	199	231	307	357	215	250
285	331	571	664	400	465	333	387	233	271	360	419	252	293
326	380	655	762	458	533	382	444	267	311	413	481	289	337
294	342	591	687	414	481	344	400	241	280	373	434	261	304
347	403	696	809	487	566	405	471	284	330	439	511	307	358
399	464	800	931	560	652	467	543	327	380	505	588	354	411
325	378	652	759	457	531	380	442	266	309	412	479	288	335
382	444	766	891	536	623	446	519	312	363	484	562	339	394
439	510	879	1022	615	716	513	596	359	417	555	646	389	452
347	404	697	810	488	567	406	472	284	331	440	512	308	358
408	475	819	952	573	667	477	555	334	389	517	601	362	421
469	546	941	1094	659	766	549	638	384	447	594	691	416	484
370	431	742	863	520	604	433	503	303	352	469	545	328	382
435	506	872	1014	610	710	508	591	356	414	551	640	385	448
500	582	1002	1166	702	816	585	680	409	476	633	737	443	516

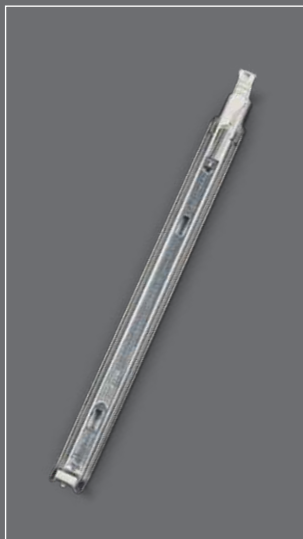
MODEL	L	H	N	A	t
T01-080-040	400	800	50	894	40
T01-080-050	496	800	50	941	50
T01-080-060	596	800	50	998	60
T01-100-040	400	1000	50	1077	40
T01-100-050	496	1000	50	1116	50
T01-100-060	596	1000	50	1164	60
T01-120-040	400	1200	50	1265	40
T01-120-050	496	1200	50	1298	50
T01-120-060	596	1200	50	1340	60
T01-160-040	400	1600	50	1649	40
T01-160-050	496	1600	50	1675	50
T01-160-060	596	1600	50	1707	60
T01-180-040	400	1800	50	1844	40
T01-180-050	496	1800	50	1867	50
T01-180-060	596	1800	50	1896	60

Packaging

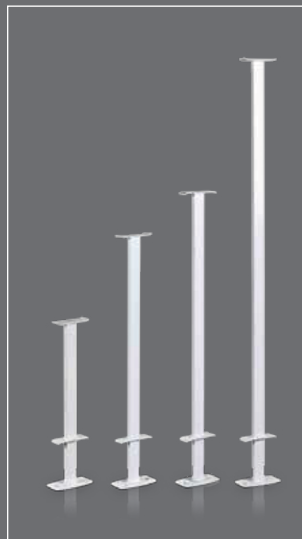


Accessories

Spring Console



Ground Connection Components



L Consol Set



Insert



Thermostatic Valve



Radiator Valve





Management Office

Nidakule Ataşehir Kuzey
Barbaros Mahallesi, Begonya Sokak
No: 3 K: 19 D: 170-175
Ataşehir 34746 İstanbul, Türkiye

T +90 216 300 16 50

Boiler Factory

Bursa Organize Sanayi Bölgesi
Park Cadde, No: 10
Nilüfer, Bursa, Türkiye

Radiator Factory

Nilüfer Organize Sanayi Bölgesi
Selvi Cadde, No: 3
Nilüfer, Bursa, Türkiye

T +90 224 295 94 00

F +90 224 411 23 77

United Kingdom

Unit 7, St Martins Business Centre
St Martins Way, Bedford MK42 0LF, England

T +44 207 164 6233

F +44 207 000 1336